

* Refer to parts list on page 18.

In compliance with Federal Regulations, following are reproductions of labels on, or inside the product relating to laser product safety.

KENWOOD-Crop. certifies this equipment conforms to DHHS Regulations No.21 CFR 1040. 10, Chapter 1, Subchapter J.

**DANGER : Laser radiation when open and interlock defeated.
AVOID DIRECT EXPOSURE TO BEAM.**

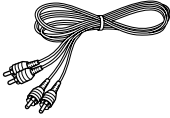
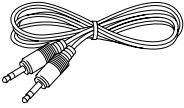
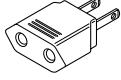
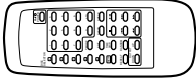
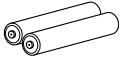


CONTENTS / ACCESSORIES / CAUTIONS

Contents

| | | | |
|--|---|-------------------------|------------|
| CONTENTS / ACCESSORIES / CAUTIONS..... | 2 | SCHEMATIC DIAGRAM | 9 |
| CIRCUIT DESCRIPTION | 3 | EXPLODED VIEW | 16 |
| ADJUSTMENT | 5 | PARTS LIST..... | 18 |
| PC BOARD | 6 | SPECIFICATIONS | Back cover |

Accessories

| | | |
|--|--|--|
| <p>Audio cord (1) (E30-0505-05)</p>  | <p>System control cord (1) (E30-2816-05)</p>  | <p>AC plug adaptor (1) (E03-0115-05)</p>  |
| <p>Remote control unit (1) (Except for CD-403/DPF-R3030) (A70-1339-05): RC-P0711</p>  | <p>Batteries (R6/AA) (2) (Except for CD-403/DPF-R3030)</p>  | <p>Use to adapt the plug on the power cord to the shape of the wall outlet. (Accessory only for regions where use is necessary.)</p> |
| <p>Battery cover (A09-0356-08)</p> | | |

Cautions

Operation to reset

The microcomputer may malfunction (impossibility to operate, erroneous display, etc.) when the connection cords are unplugged while the unit is ON or due to an external factor. In this case, execute the following method to reset the microcomputer and return it to normal condition.

Unplug the power cord from the power socket and plug the power cord into the socket again.

CIRCUIT DESCRIPTION

1. Microprocessor pin description : uPD780206GF059 (X32, IC15)

| Pin No. | Pin Name | I/O | Description | ACTIVE | |
|---------|----------|-----|---|---------|--------------|
| | | | | H | L |
| 1 | VDD | - | Power supply(+5V). | | |
| 2 | LDC | O | Laser signal output. | LD: ON | |
| 3 | STBY-LED | O | STANDBY LED control output. | | |
| 4 | MON | O | Control terminal of spindle motor(ON/OFF). | ON | |
| 5 | SCLK | O | Sense serial data read clock. | | |
| 6 | SENSE | I | Sense input from CXD2587Q. | | |
| 7 | CLOCK | O | Serial data clock. | | |
| 8 | XLAT | O | Latch output to CXD2587Q. | | |
| 9 | DATA | O | Serial data output to CXD2587Q. | | |
| 10 | RESET-1 | I | Input terminal of system reset . | | |
| 11 | X2 | - | System clock(5MHz). | | |
| 12 | X1 | I | System clock(5MHz). | | |
| 13 | NC | - | Connected to VSS. | | |
| 14 | XT2 | - | Unused. | | |
| 15 | GFS | - | Unused. | | |
| 16 | VDD | - | Power supply(+5V). | | |
| 17 | SQCK | O | Q data reading clock output. | | |
| 18 | NC | O | Unused. | | |
| 19 | SUBQ | I | Q data input. | | |
| 20 | SYSM | O | System muting control to CXD2587Q. | MUTE ON | |
| 21 | CE | O | Chip selector to dot driver. | | |
| 22 | CLK | I/O | Clock in/out for dot driver. | | |
| 23 | DATA | O | Data to dot driver. | | |
| 24 | NC | I/O | Unused. | | |
| 25 | AVSS | - | Connected to VSS. | | |
| 26 | RMUTE | O | Analog muting control. | | MUTE ON |
| 27 | SDA | I/O | EEPROM data input/output. | | |
| 28 | SCLK | O | EEPROM clock output. | | |
| 29 | SBUSY | I/O | Serial busy signal output. | | |
| 30-32 | KEY2-O | I | Key input(key2-0). | | |
| 33 | TYPE | I | Discrimination of model. 5V: CD-406 0V: CD-403/404 | | |
| 34 | AVDD | - | Power supply(+5V). | | |
| 35 | AVREF | - | A/D reference power supply. | | |
| 36 | POWER-K | I | Power key input. | | KEY ON |
| 37 | S DATA | I/O | Serial data signal input/output. | | |
| 38 | SCOR | I | Sub code frame sync detection. | | |
| 39 | REM | I | Remote control signal input. | | |
| 40 | VSS | - | Connected to VSS. | | |
| 41 | SCK | O | Clock output to KAN03(IC9). | | |
| 42 | SGATE | O | Enable output to KAN03(IC9). | | |
| 43 | SDATA | O | Data output to KAN03(IC9). | | |
| 44,45 | NC | - | Connected to VSS. | | |
| 46 | VDD | - | Power supply(+5V). | | |
| 47,48 | NC | - | Connected to VSS. | | |
| 49 | OPEN SW | I | Detection input terminal of tray open switch. | | TRAY OPEN |
| 50 | CLOSE SW | I | Detection input terminal of tray close switch. | | TRAY CLOSE |
| 51 | UP SW | I | Detection input terminal of mecha. UP switch. | | UP |
| 52 | DOWN SW | I | Detection input terminal of mecha. DOWN switch. | | DOWN |
| 53 | SLTSW | I | Detection input terminal of start limit switch. | | SW ON |
| 54 | CLOSE | O | Tray motor control. | CLOSE | |
| 55 | OPEN | O | Tray motor control. | OPEN | |
| 56 | RTR | O | Rotary tray motor control. | CW | |
| 57 | RTS | O | Rotary tray motor control. | | DECELERATION |
| 58 | RTL | O | Rotary tray motor control. | CCW | |
| 59 | PSENSE | I | Input terminal of mecha.position sensor. | | |
| 60 | DSENSE | I | Input terminal of mecha disc sensor. | | |
| 61 | STANDBY | O | ON/STANDBY signal input. | | STANDBY |
| 62 | RESET-0 | O | Reset signal output. | | RESET |
| 63-73 | NC | - | Connected to VSS. | | |

CIRCUIT DESCRIPTION

| Pin No. | Pin Name | I/O | Description | ACTIVE | |
|---------|-------------|-----|---|-------------------------|---|
| | | | | H | L |
| 74 | LED1/SEG15 | O | CD-406: FL indication for DISC1. CD-403/404: FL segment control. | LED ON SEG. LIGHT ON | |
| 75 | LED2/SEG14 | O | CD-406: FL indication for DISC2. CD-403/404: FL segment control. | LED ON SEG. LIGHT ON | |
| 76 | LED3/SEG13 | O | CD-406: FL indication for DISC3. CD-403/404: FL segment control. | LED ON SEG. LIGHT ON | |
| 77 | LED4/SEG12 | O | CD-406: FL indication for DISC4. CD-403/404: FL segment control. | LED ON SEG. LIGHT ON | |
| 78 | LED5/SEG11 | O | CD-406: FL indication for DISC5. CD-403/404: FL segment control. | LED ON SEG. LIGHT ON | |
| 79 | VLOAD | - | Power supply(-35V). | | |
| 80-90 | SEG10-SEG0 | O | FL segment control. | | |
| 91-100 | GRID9-GRID0 | O | FL grid control. | | |

2. Test mode

2-1 How to set up the test mode.

While pressing the REPEAT key, insert the AC plug to the AC wall outlet.

2-2 Contents of the test mode.

| KEY | FL INDICATION | | DESCRIPTION |
|-------------------------------------|---|----------------------|---|
| | CD-406 | CD-403/404 | |
| AC IN with pressing the REPEAT key. | TEST 03 --:-- | tEST 03 --:-- | The unit is entered to 03 mode if the disc is on the tray, and then the tray opens. |
| PLAY/PAUSE | 05 xx:xx 03 --:-- | 05 xx:xx 03 --:-- | 05:F/T SERVO ON → 03:F-SERVO ON and T-SERVO OFF |
| UP | - | - | FL all light on → *Niagara mode → normal indication *CD-403/404: all light off |
| FF | FEED OUT | Fed Out | The pick up travels outwards. |
| FB | FEED IN | Fed In | The pick up travels inwards. |
| STOP | NG: BLINKING 07 XX:XX 08 XX:XX 09 XX:XX 10 XX:XX Indication value: HEX | | Stop the function. Shows the result of self_adjustment. 07 EF/FB 08 TG/FG 09 FE/RF 10 TE/VC Mode changes alternately by the STOP key. |
| DOWN | - | - | Release the test mode. |

2-3 Judgement extent for result of self-adjustment.

| ITEMS | | JUDGEMENT EXTENT(OK) |
|------------------|---------------------------|------------------------------------|
| EF BALANCE adj.: | EF | NONE |
| AUTO-GAIN adj. | F- GAIN :FG T-GAIN :TG | 0D~7EH 09~7EH |
| AVERAGE adj. | FE RF TE VC | NONE 80~CDH 3F~C0H 19~E6H |

3. Initiallizing

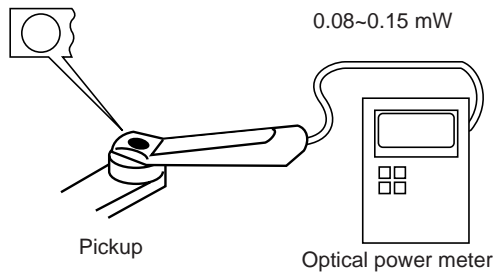
| KEY | FL INDICATION | | DESCRIPTION |
|---|--------------------------------------|-------------------------------|---|
| | CD-406 | CD-403/404 | |
| While pressing the CLEAR key, insert the AC plug to the AC wall outlet. | INIT OK INIT MECH NG INIT EENG | Inl ○ ○ Inl - ○ Inl ○ - | <ul style="list-style-type: none"> • Traverse moves to down- ward. • Initialized EEPROM data. NORMAL MECHANISM NG EEPROM NG |

ADJUSTMENT

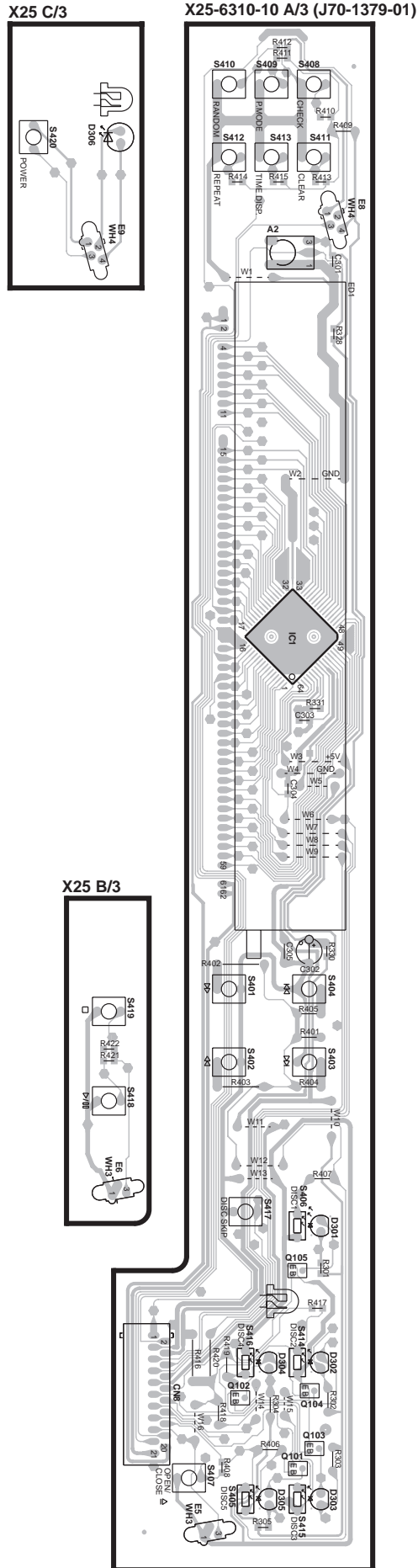
| No. | ITEM | INPUT SETTINGS | OUTPUT SETTINGS | PLAYER SETTINGS | ALIGNMENT POINTS | ALIGN FOR | FIG. |
|---|---------------------|------------------|---|---|------------------|---|------|
| Open the tray (Normal mode), then turn the power off. | | | | | | | |
| 1 | LASER POWER | - | Apply the sensor section of optical power meter on the pickup lens. | While pressing the REPEAT key, turn the AC ON. (Test mode) Press the PLAY/PAUSE key, then confirm that the display is "03". | - | On the power from 0.08 to 0.15 mW, when the diffraction grating is correctly aligned with the RF level of 1.0 Vp-p or more. | (a) |
| 1. Load a disc on disc 1 tray. 2. Turn the power off. 3. While pressing the REPEAT. key, turn the power ON to enter the Test mode. | | | | | | | |
| 1 | FOCUS ERROR BIAS | Test disc Type 4 | Connect an oscilloscope as follows. CH1: | Press the PLAY/PAUSE key, then confirm that the display is "05". | FE BIAS VR1 | Optimum eye pattern | |
| 2 | LASER CURRENT CHECK | Test disc Type 4 | Connect the DC voltmeter to CN3(pin3 and 4) on X32. | Press the PLAY/PAUSE key, then confirm that the display is 03 or 05. | - | 0.5±0.2V | |

Note:
 Type 4 disc : SONY YEDS-18 Test Disc or equivalent.
 LPF: Around 47 kΩ+ 390 pF or so.
 Step 1~4 are in Test Mode.

(a) Laser power



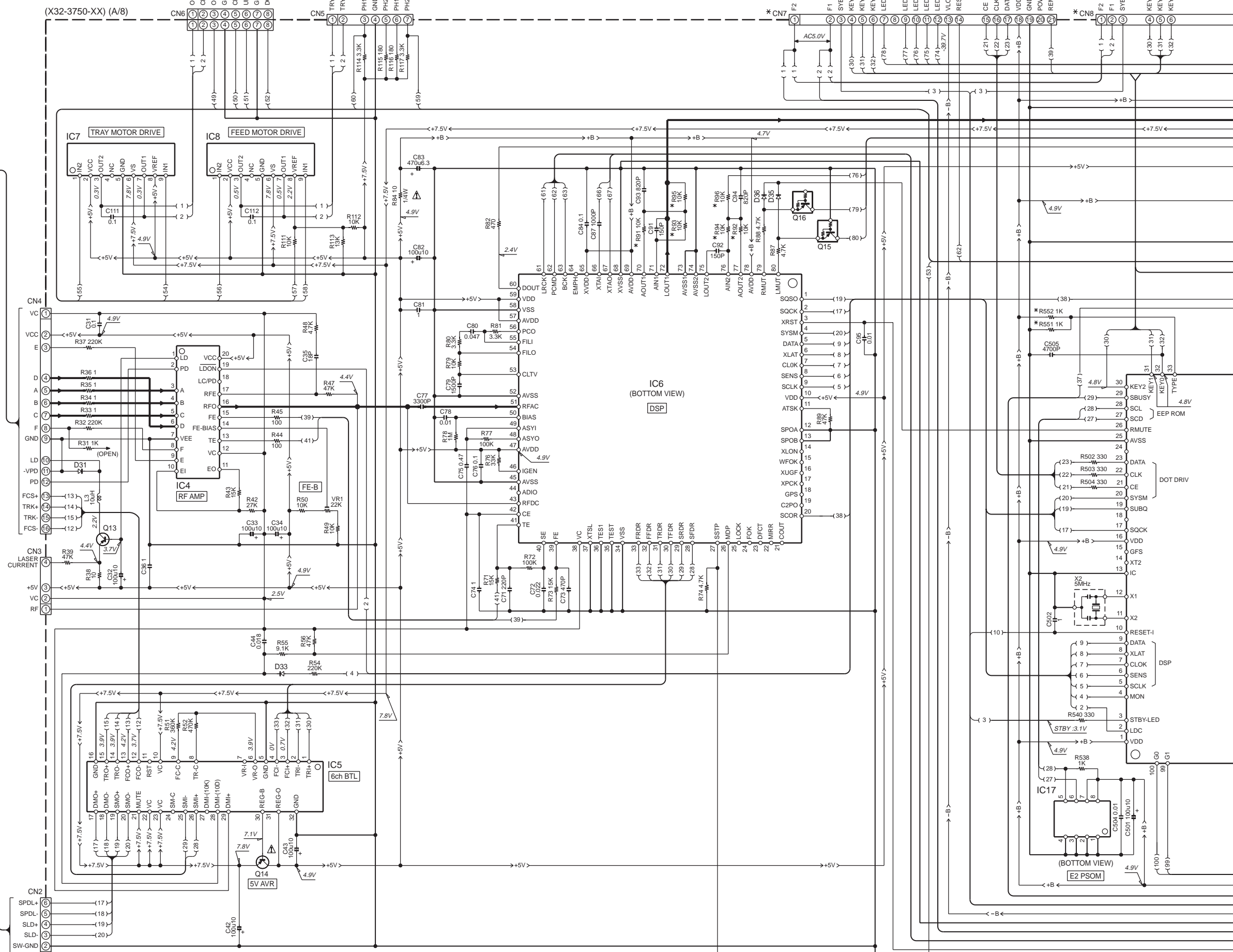
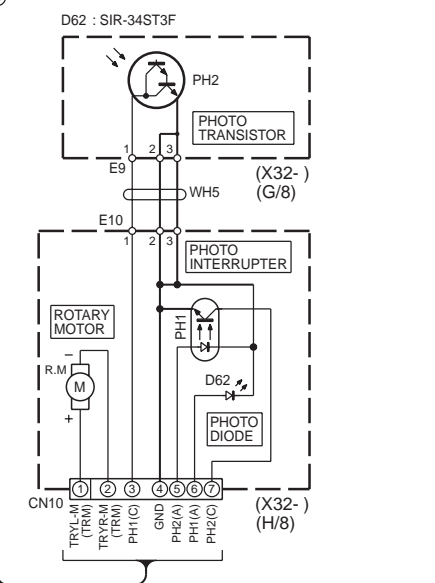
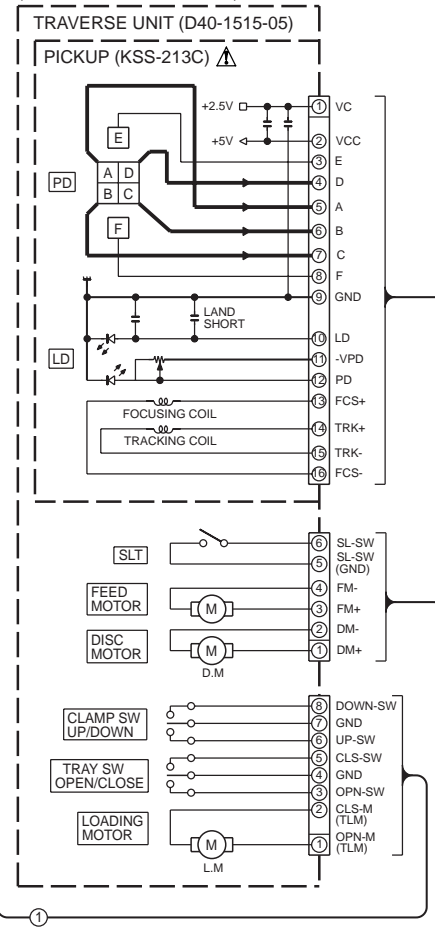
PC BOARD (Component side view)

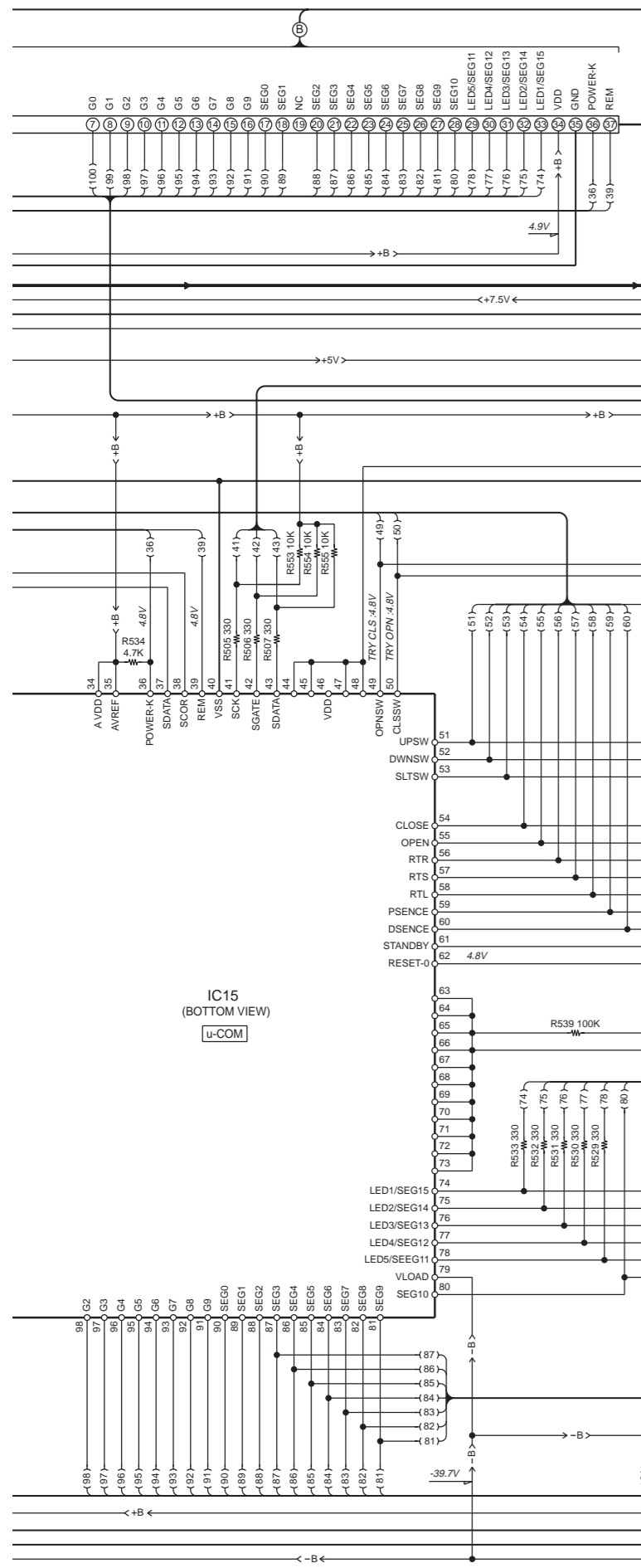


Refer to the schematic diagram for the value of resistors and capacitors.

1
2
3
4
5
6
7

MECHA. ASS'Y (CDM-25)
(X92-2150-10/X92-2160-21)



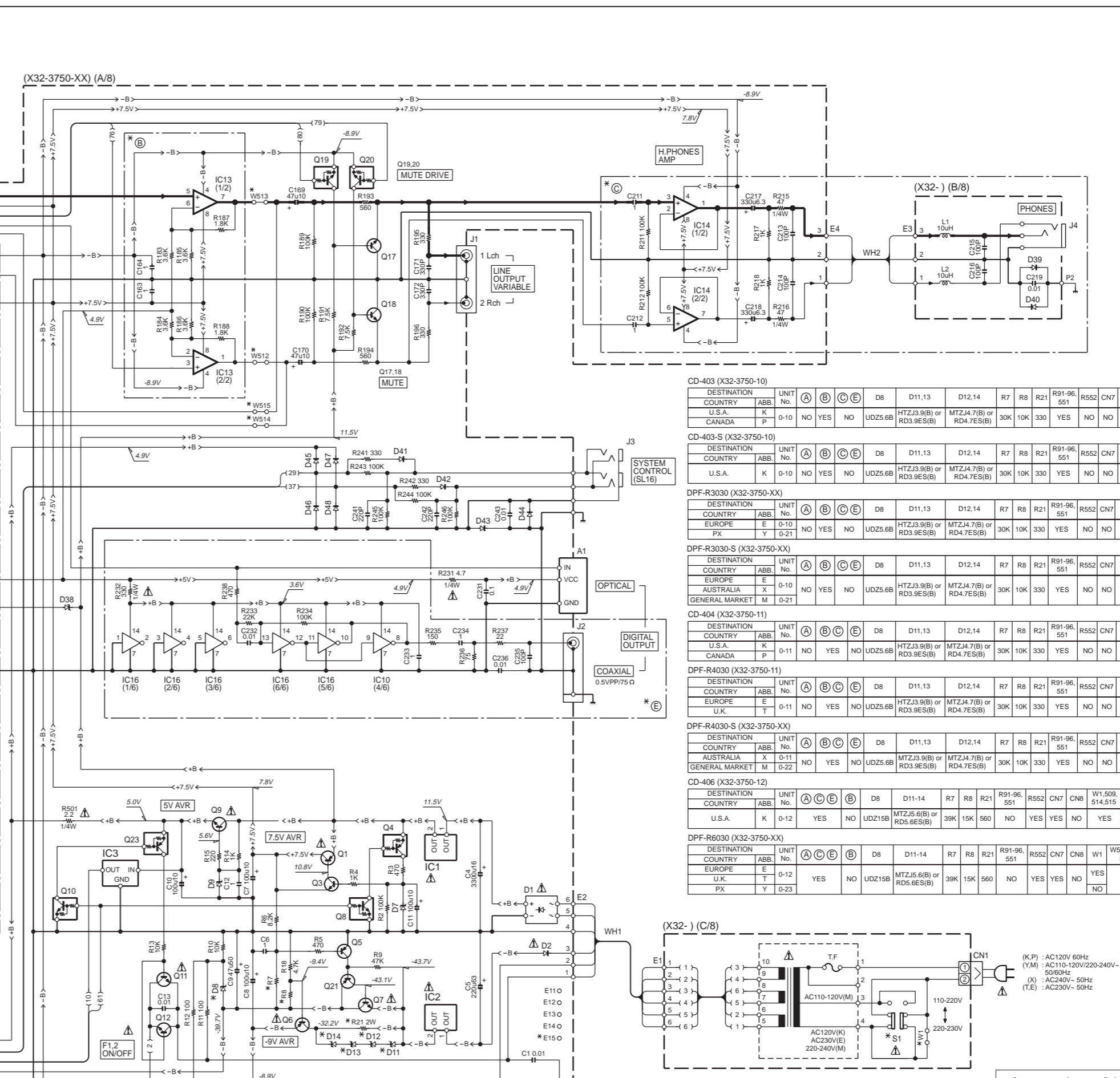
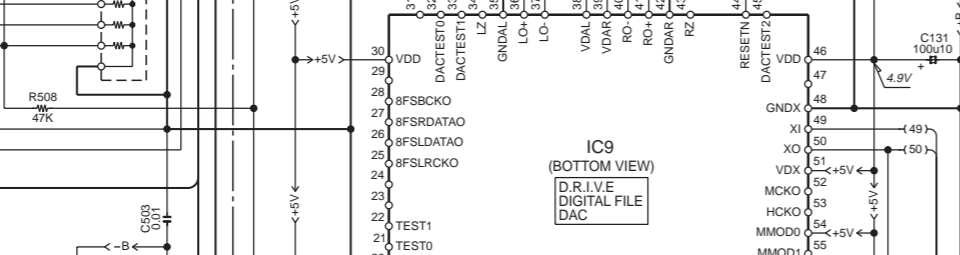


- IC1 : ICP-N25
- IC2 : ICP-N20
- IC3 : PST993D-T
- IC4 : CXA1821M
- IC5 : BA5979S
- IC6 : CXD2587Q*
- IC7 : TA8409S
- IC8 : KAN03
- IC9 : NJM4565M
- IC10 : NJM4565M
- IC11 : NJM4565M
- IC12 : NJM4565M
- IC13 : NJM4565M
- IC14 : NJM4565M
- IC15 : uPD780206GF059
- IC16 : TC74HC04AF
- IC17 : S-24C01B

- Q1,6 : 2SB1370 or 2SB1375
- Q3 : 2SC4081(R,S) or 2SC4116(Y,GR)
- Q4,15,16,23 : DTA124EUA or UN512
- Q5,21 : 2SA1576A(R,S) or 2SA1586(Y,GR)
- Q7,9 : 2SC3940A(R,S)
- Q8,10,19,20 : DTC124EUA or UN5212
- Q11,12,17,18 : 2SD1450(S,T)
- Q13 : 2SA954(L,K)
- Q14 : 2SA1534A

- D1 : D3SB40F03
- D2 : S5689B
- D7 : UDZ8.2B
- D8 : *
- D9 : UDZ5.6B
- D11,13 : *
- D12,14 : *
- D31,33,35-37,39,41-48 : MA111
- D38 : UDZ4.7B

- A1 : W02-1114-15



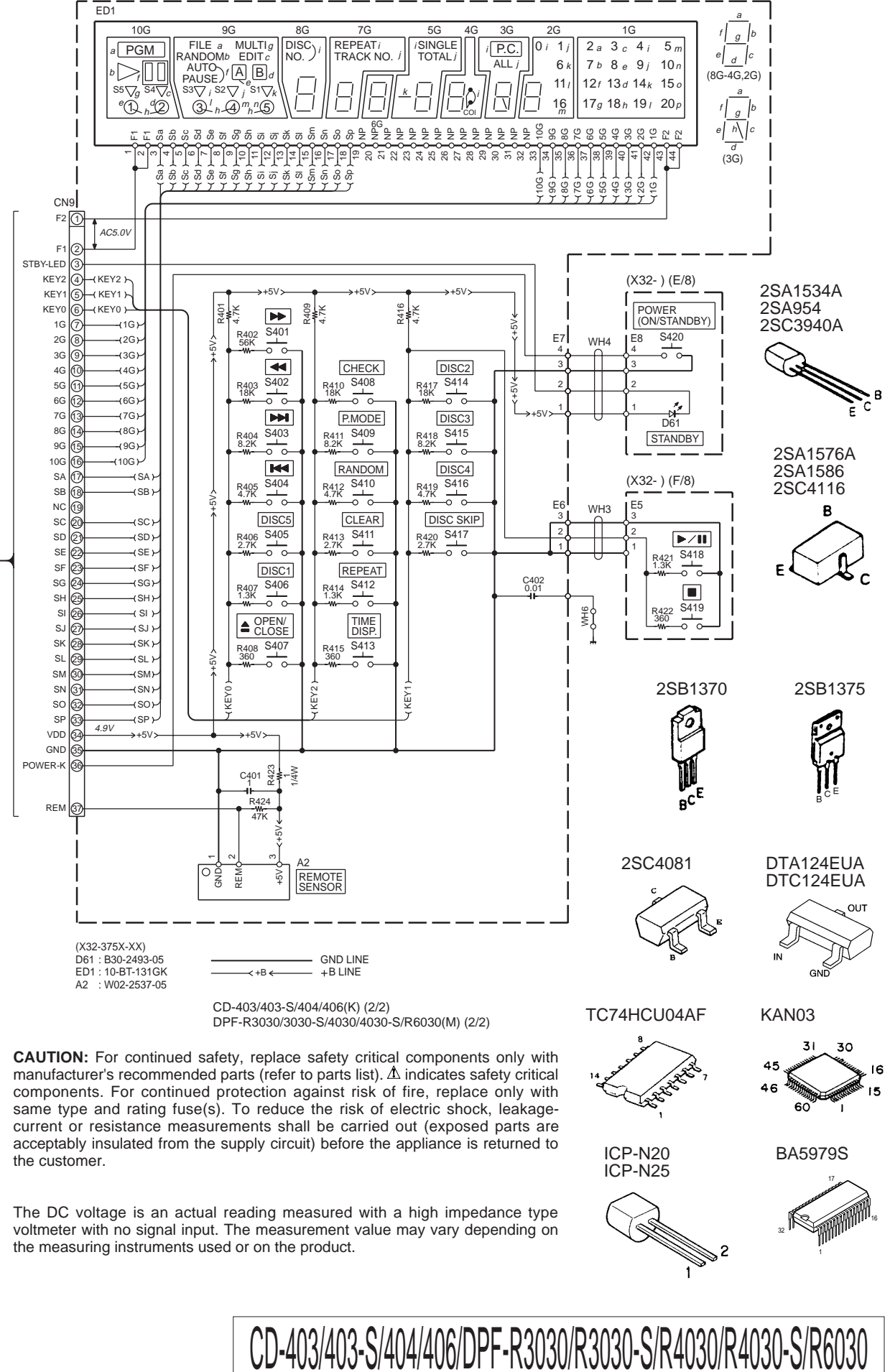
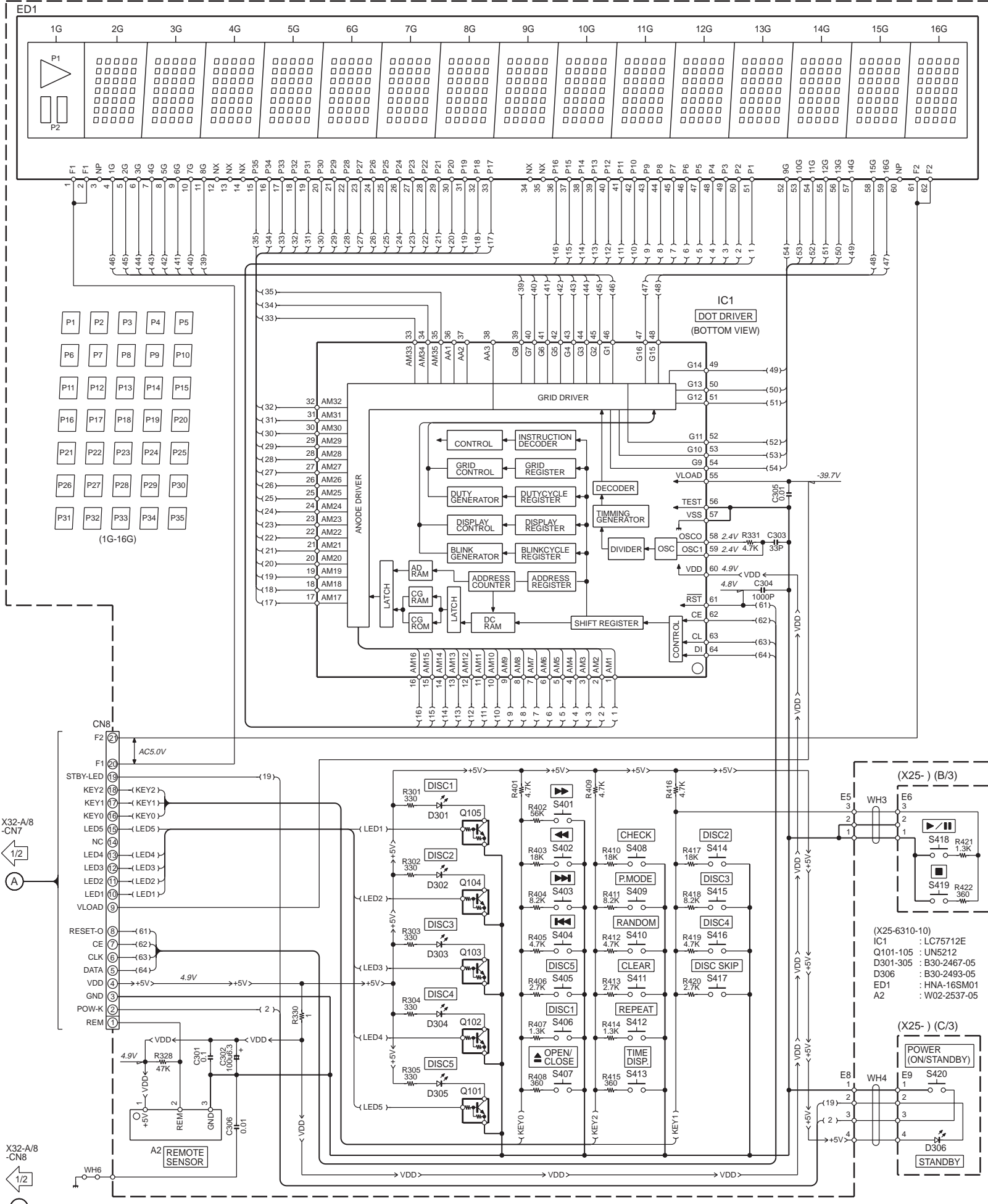
CAUTION: For continued safety, replace safety critical components only with manufacturer's recommended parts (refer to parts list). Δ indicates safety critical components. For continued protection against risk of fire, replace only with same type and rating fuse(s). To reduce the risk of electric shock, leakage-current or resistance measurements shall be carried out (exposed parts are acceptably insulated from the supply circuit) before the appliance is returned to the customer.

The DC voltage is an actual reading measured with a high impedance type voltmeter with no signal input. The measurement value may vary depending on the measuring instruments used or on the product.

| DESTINATION | UNIT No. | A | B | C | E | D8 | D11,13 | D12,14 | R7 | R8 | R21 | R91-96,551 | R552 | CN7 | CN8 | W1 | W509,514,515 | W1,506,507,512,513,521 | S1 | CP1 | E15 | |
|-------------|----------|------|----|-----|----|---------|----------------------------|----------------------------|-----|-----|-----|------------|------|-----|-----|----|--------------|------------------------|-----|-----|-----|----|
| U.S.A. | K | 0-10 | NO | YES | NO | UDZ5.6B | HTZJ3.9(B) or RD3.9E(S)(B) | MTZJ4.7(B) or RD4.7E(S)(B) | 30K | 10K | 330 | YES | NO | NO | NO | NO | NO | NO | YES | NO | YES | NO |
| CANADA | P | 0-10 | NO | YES | NO | UDZ5.6B | HTZJ3.9(B) or RD3.9E(S)(B) | MTZJ4.7(B) or RD4.7E(S)(B) | 30K | 10K | 330 | YES | NO | NO | NO | NO | NO | NO | YES | NO | YES | NO |

| DESTINATION | UNIT No. | A | B | C | E | D8 | D11,13 | D12,14 | R7 | R8 | R21 | R91-96,551 | R552 | CN7 | CN8 | W1 | W509,514,515 | W1,506,507,512,513,521 | S1 | CP1 | E15 | |
|-------------|----------|------|----|-----|----|---------|----------------------------|----------------------------|-----|-----|-----|------------|------|-----|-----|----|--------------|------------------------|-----|-----|-----|----|
| U.S.A. | K | 0-10 | NO | YES | NO | UDZ5.6B | HTZJ3.9(B) or RD3.9E(S)(B) | MTZJ4.7(B) or RD4.7E(S)(B) | 30K | 10K | 330 | YES | NO | NO | NO | NO | NO | NO | YES | NO | YES | NO |
| CANADA | P | 0-10 | NO | YES | NO | UDZ5.6B | HTZJ3.9(B) or RD3.9E(S)(B) | MTZJ4.7(B) or RD4.7E(S)(B) | 30K | 10K | 330 | YES | NO | NO | NO | NO | NO | NO | YES | NO | YES | NO |

| DESTINATION | UNIT No. | A | B | C | E | D8 | D11,13 | D12,14 | R7 | R8 | R21 | R91-96,551 | R552 | CN7 | CN8 | W1 | W509,514,515 | W1,506,507,512,513,521 | S1 | CP1 | E15 | |
|-------------|----------|------|----|-----|----|---------|----------------------------|----------------------------|-----|-----|-----|------------|------|-----|-----|----|--------------|------------------------|-----|-----|-----|----|
| U.S.A. | K | 0-10 | NO | YES | NO | UDZ5.6B | HTZJ3.9(B) or RD3.9E(S)(B) | MTZJ4.7(B) or RD4.7E(S)(B) | 30K | 10K | 330 | YES | NO | NO | NO | NO | NO | NO | YES | NO | YES | NO |
| EUROPE | E | 0-10 | NO | YES | NO | UDZ5.6B | HTZJ3.9(B) or RD3.9E(S)(B) | MTZJ4.7(B) or RD4.7E(S)(B) | 30K | 10K | 330 | YES | NO | NO | NO | NO | NO | NO | YES | NO | YES | NO |
| EUROPE | E | 0-10 | NO | YES | NO | UDZ5.6B | HTZJ3.9(B) or RD3.9E(S)(B) | MTZJ4.7(B) or RD4.7E(S)(B) | 30K | 10K | 330 | YES | NO | NO | NO | NO | NO | NO | YES | NO | YES | NO |
| EUROPE | E | 0-10 | NO | YES | NO | UDZ5.6B | HTZJ3.9(B) or RD3.9E(S)(B) | MTZJ4.7(B) or RD4.7E(S)(B) | 30K | 10K | 330 | YES | NO | NO | NO | NO | NO | NO | YES | NO | YES | NO |
| EUROPE | E | 0-10 | NO | YES | NO | UDZ5.6B | HTZJ3.9(B) or RD3.9E(S)(B) | MTZJ4.7(B) or RD4.7E(S)(B) | 30K | 10K | 330 | YES | NO | NO | NO | NO | NO | NO | YES | NO | YES | NO |
| EUROPE | E | 0-10 | NO | YES | NO | UDZ5.6B | HTZJ3.9(B) or RD3.9E(S)(B) | MTZJ4.7(B) or RD4.7E(S)(B) | 30K | 10K | 330 | YES | NO | NO | NO | NO | NO | NO | YES | NO | YES | NO |
| EUROPE | E | 0-10 | NO | YES | NO | UDZ5.6B | HTZJ3.9(B) or RD3.9E(S)(B) | MTZJ4.7(B) or RD4.7E(S)(B) | 30K | 10K | 330 | YES | NO | NO | NO | NO | NO | NO | YES | NO | YES | NO |
| EUROPE | E | 0-10 | NO | YES | NO | UDZ5.6B | HTZJ3.9(B) or RD3.9E(S)(B) | MTZJ4.7(B) or RD4.7E(S)(B) | 30K | 10K | 330 | YES | NO | NO | NO | NO | NO | NO | YES | NO | YES | NO |
| EUROPE | E | 0-10 | NO | YES | NO | UDZ5.6B | HTZJ3.9(B) or RD3.9E(S)(B) | MTZJ4.7(B) or RD4.7E(S)(B) | 30K | 10K | 330 | YES | NO | NO | NO | NO | NO | NO | YES | NO | YES | NO |
| EUROPE | E | 0-10 | NO | YES | NO | UDZ5.6B | HTZJ3.9(B) or RD3.9E(S)(B) | MTZJ4.7(B) or RD4.7E(S)(B) | 30K | 10K | 330 | YES | NO | NO | NO | NO | NO | NO | YES | NO | YES | NO |
| EUROPE | E | 0-10 | NO | YES | NO | UDZ5.6B | HTZJ3.9(B) or RD3.9E(S)(B) | MTZJ4.7(B) or RD4.7E(S)(B) | 30K | 10K | 330 | YES | NO | NO | NO | NO | NO | NO | YES | NO | YES | NO |
| EUROPE | E | 0-10 | NO | YES | NO | UDZ5.6B | HTZJ3.9(B) or RD3.9E(S)(B) | MTZJ4.7(B) or RD4.7E(S)(B) | 30K | 10K | 330 | YES | NO | NO | NO | NO | NO | NO | YES | NO | YES | NO |
| EUROPE | E | 0-10 | NO | YES | NO | UDZ5.6B | HTZJ3.9(B) or RD3.9E(S)(B) | MTZJ4.7(B) or RD4.7E(S)(B) | 30K | 10K | 330 | YES | NO | NO | NO | NO | NO | NO | YES | NO | YES | NO |
| EUROPE | E | 0-10 | NO | YES | NO | UDZ5.6B | HTZJ3.9(B) or RD3.9E(S)(B) | MTZJ4.7(B) or RD4.7E(S)(B) | 30K | 10K | 330 | YES | NO | NO | NO | NO | NO | NO | YES | NO | YES | NO |
| EUROPE | E | 0-10 | NO | YES | NO | UDZ5.6B | HTZJ3.9(B) or RD3.9E(S)(B) | MTZJ4.7(B) or RD4.7E(S)(B) | 30K | 10K | 330 | YES | NO | NO | NO | NO | NO | NO | YES | NO | YES | NO |
| EUROPE | E | 0-10 | NO | YES | NO | UDZ5.6B | HTZJ3.9(B) or RD3.9E(S)(B) | MTZJ4.7(B) or RD4.7E(S)(B) | 30K | 10K | 330 | YES | NO | NO | NO | NO | NO | NO | YES | NO | YES | NO |
| EUROPE | E | 0-10 | NO | YES | NO | UDZ5.6B | HTZJ3.9(B) or RD3.9E(S)(B) | MTZJ4.7(B) or RD4.7E(S)(B) | 30K | 10K | 330 | YES | NO | NO | NO | NO | NO | NO | YES | NO | YES | NO |
| EUROPE | E | 0-10 | NO | YES | NO | UDZ5.6B | HTZJ3.9(B) or RD3.9E(S)(B) | MTZJ4.7(B) or RD4.7E(S)(B) | 30K | 10K | 330 | YES | NO | NO | NO | NO | NO | NO | YES | NO | YES | NO |
| EUROPE | E | 0-10 | NO | YES | NO | UDZ5.6B | HTZJ3.9(B) or RD3.9E(S)(B) | MTZJ4.7(B) or RD4.7E(S)(B) | 30K | 10K | 330 | YES | NO | NO | NO | NO | NO | NO | YES | NO | YES | NO |
| EUROPE | E | 0-10 | NO | YES | NO | UDZ5.6B | HTZJ3.9(B) or RD3.9E(S)(B) | MTZJ4.7(B) or RD4.7E(S)(B) | 30K | 10K | 330 | YES | NO | NO | NO | NO | NO | NO | YES | NO | YES | NO |
| EUROPE | E | 0-10 | NO | YES | NO | UDZ5.6B | HTZJ3.9(B) or RD3.9E(S)(B) | MTZJ4.7(B) or RD4.7E(S)(B) | 30K | 10K | 330 | YES | NO | NO | NO | NO | NO | NO | YES | NO | YES | NO |
| EUROPE | E | 0-10 | NO | YES | NO | UDZ5.6B | HTZJ3.9(B) or RD3.9E(S)(B) | MTZJ4.7(B) or RD4.7E(S)(B) | 30K | 10K | 330 | YES | NO | NO | NO | NO | NO | NO | YES | NO | YES | NO |
| EUROPE | E | 0-10 | NO | YES | NO | UDZ5.6B | HTZJ3.9(B) or RD3.9E(S)(B) | MTZJ4.7(B) or RD4.7E(S)(B) | 30K | 10K | 330 | YES | NO | NO | NO | NO | NO | NO | YES | NO | YES | NO |
| EUROPE | E | 0-10 | NO | YES | NO | UDZ5.6B | HTZJ3.9(B) or RD3.9E(S)(B) | MTZJ4.7(B) or RD4.7E(S)(B) | 30K | 10K | 330 | YES | NO | NO | NO | NO | NO | NO | YES | NO | YES | NO |
| EUROPE | E | 0-10 | NO | YES | NO | UDZ5.6B | HTZJ3.9(B) or RD3.9E(S)(B) | MTZJ4.7(B) or RD4.7E(S)(B) | 30K | 10K | 330 | YES | NO | NO | NO | NO | NO | NO | YES | NO | YES | NO |
| EUROPE | E | 0-10 | NO | YES | NO | UDZ5.6B | HTZJ3.9(B) or RD3.9E(S)(B) | MTZJ4.7(B) or RD4.7E(S)(B) | 30K | 10K | 330 | YES | NO | NO | NO | NO | NO | NO | YES | NO | YES | NO |
| EUROPE | E | 0-10 | NO | YES | NO | UDZ5.6B | HTZJ3.9(B) or RD3.9E(S)(B) | MTZJ4.7(B) or RD4.7E(S)(B) | 30K | 10K | 330 | YES | NO | NO | NO | NO | NO | NO | YES | NO | YES | NO |
| EUROPE | E | 0-10 | NO | YES | NO | UDZ5.6B | HTZJ3.9(B) or RD3.9E(S)(B) | MTZJ4.7(B) or RD4.7E(S)(B) | 30K | 10K | 330 | YES | NO | NO | NO | NO | NO | NO | YES | NO | YES | NO |
| EUROPE | E | 0-10 | NO | YES | NO | UDZ5.6B | HTZJ3.9(B) or RD3.9E(S)(B) | MTZJ4.7(B) or RD4.7E(S)(B) | 30K | 10K | 330 | YES | NO | NO | NO | NO | NO | NO | YES | NO | YES | NO |
| EUROPE | E | 0-10 | NO | YES | NO | UDZ5.6B | HTZJ3.9(B) or RD3.9E(S)(B) | MTZJ4.7(B) or RD4.7E(S)(B) | 30K | 10K | 330 | YES | NO | NO | NO | NO | NO | NO | YES | NO | YES | NO |
| EUROPE | E | 0-10 | NO | YES | NO | UDZ5.6B | HTZJ3.9(B) or RD3.9E(S)(B) | MTZJ4.7(B) or RD4.7E(S)(B) | 30K | 10K | 330 | YES | NO | NO | NO | NO | NO | NO | YES | NO | YES | NO |
| EUROPE | E | 0-10 | NO | YES | NO | UDZ5.6B | HTZJ3.9(B) or RD3.9E(S)(B) | MTZJ4.7(B) or RD4.7E(S)(B) | 30K | 10K | 330 | YES | NO | NO | NO | NO | NO | NO | YES | NO | YES | NO |
| EUROPE | E | 0-10 | NO | YES | NO | UDZ5.6B | HTZJ3.9(B) or RD3.9E(S)(B) | MTZJ4.7(B) or RD4.7E(S)(B) | 30K | 10K | 330 | YES | NO | NO | NO | NO | NO | NO | YES | NO | YES | NO |
| EUROPE | E | 0-10 | NO | YES | NO | UDZ5 | | | | | | | | | | | | | | | | |

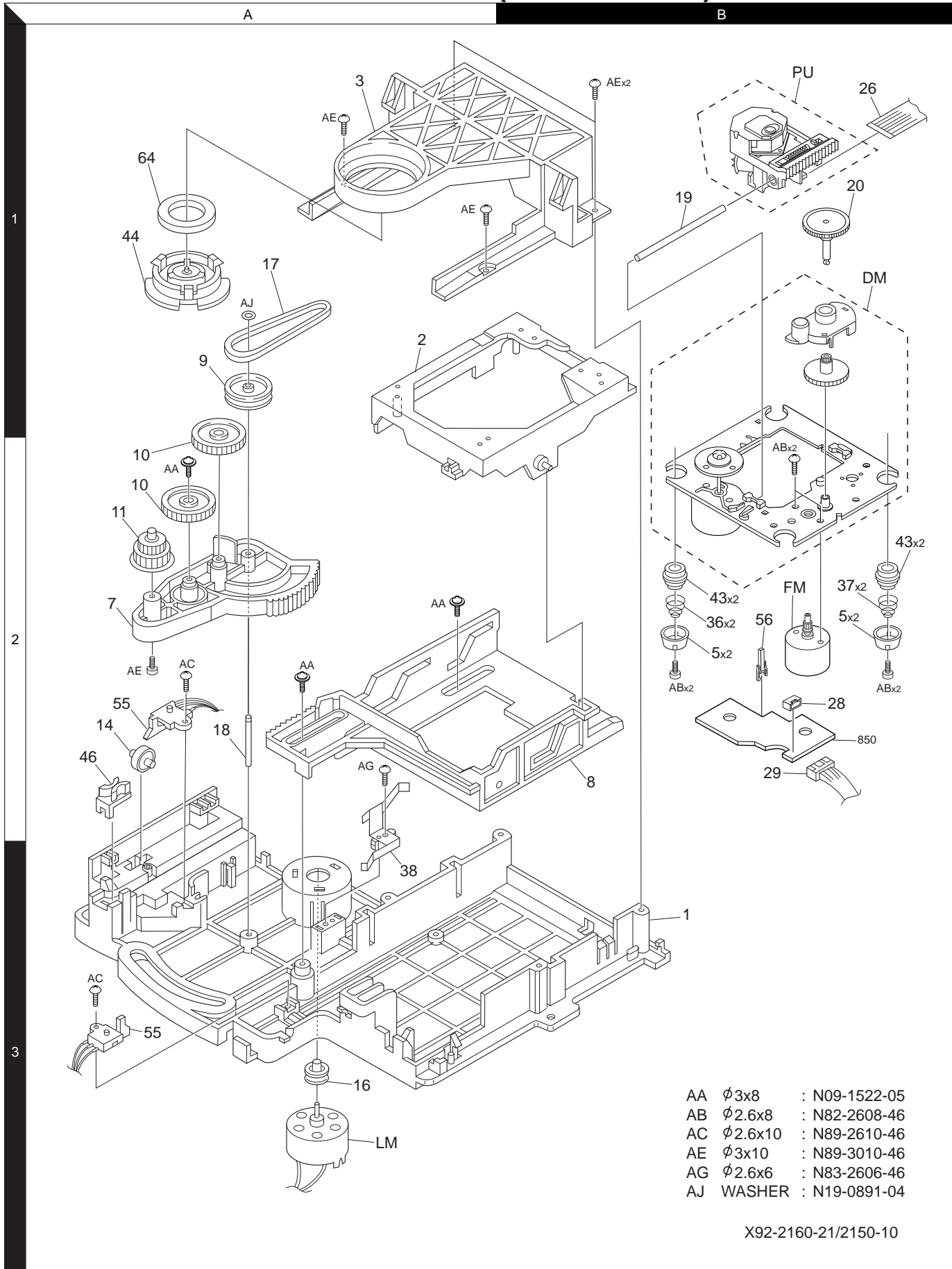


CAUTION: For continued safety, replace safety critical components only with manufacturer's recommended parts (refer to parts list). Δ indicates safety critical components. For continued protection against risk of fire, replace only with same type and rating fuse(s). To reduce the risk of electric shock, leakage-current or resistance measurements shall be carried out (exposed parts are acceptably insulated from the supply circuit) before the appliance is returned to the customer.

The DC voltage is an actual reading measured with a high impedance type voltmeter with no signal input. The measurement value may vary depending on the measuring instruments used or on the product.

CD-403/403-S/404/406/DPF-R3030/R3030-S/R4030/R4030-S/R6030

EXPLODED VIEW (MECHANISM)

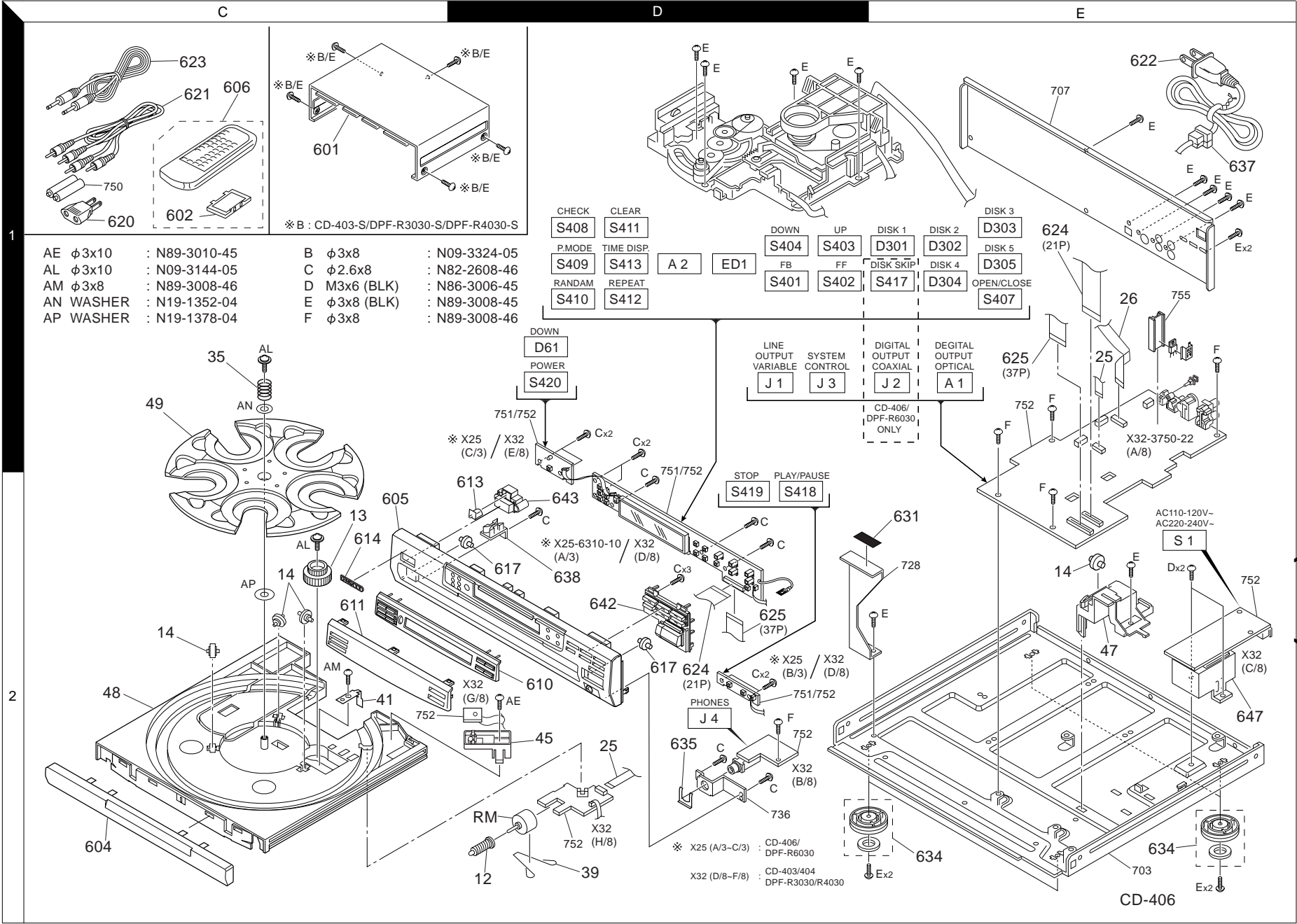


- AA ϕ 3x8 : N09-1522-05
- AB ϕ 2.6x8 : N82-2608-46
- AC ϕ 2.6x10 : N89-2610-46
- AE ϕ 3x10 : N89-3010-46
- AG ϕ 2.6x6 : N83-2606-46
- AJ WASHER : N19-0891-04

X92-2160-21/2150-10

CD-403/403-S/404/406/DPF-R3030/R3030-S/R4030/R4030-S/R6030 EXPLODED VIEW (UNIT)

Parts with exploded numbers larger than 700 are not supplied.



* New Parts

Parts without **Parts No.** are not supplied.
 Les articles non mentionnés dans le **Parts No.** ne sont pas fournis.
 Teile ohne **Parts No.** werden nicht geliefert.

①

| Ref. No | Add-ress | New Parts | Parts No. | Description | Desti-nation | Re-marks |
|---------------------------------------|----------|-----------|-------------|-------------------------------|--------------|----------|
| CD-403/403-S/DPF-R3030/R3030-S | | | | | | |
| 601 | 1C | * | A01-3705-01 | METALLIC CABINET | E1 | |
| 601 | 1C | * | A01-3705-01 | METALLIC CABINET | KP1Y1 | |
| 601 | 1C | * | A01-3706-01 | METALLIC CABINET | E2 | |
| 601 | 1C | * | A01-3706-01 | METALLIC CABINET | K1M1X1 | |
| 604 | 2C | * | A29-1064-02 | PANEL | E1 | |
| 604 | 2C | * | A29-1064-02 | PANEL | KP1Y1 | |
| 604 | 2C | * | A29-1065-02 | PANEL | E2 | |
| 604 | 2C | * | A29-1065-02 | PANEL | K1M1X1 | |
| 605 | 2C | * | A60-1710-01 | PANEL | KP1 | |
| 605 | 2C | * | A60-1711-01 | PANEL | K1 | |
| 605 | 2C | * | A60-1712-01 | PANEL | M1X1E2 | |
| 605 | 2C | * | A60-1713-01 | PANEL | Y1E1 | |
| 610 | 2D | * | B07-2471-02 | ESCUTCHEON | | |
| 611 | 2C | * | B10-3518-03 | FRONT GLASS | | |
| 613 | 2D | * | B12-0382-04 | INDICATOR | | |
| 614 | 2C | * | B43-0302-04 | KENWOOD BADGE | | |
| - | - | - | B46-0096-53 | WARRANTY CARD | X1 | |
| - | - | - | B46-0197-00 | QUESTIONNAIRE CARD | KK1 | |
| - | - | - | B46-0310-03 | WARRANTY CARD | E1E2 | |
| - | - | - | B46-0328-03 | WARRANTY CARD | KK1Y1 | |
| - | - | - | B46-0347-03 | WARRANTY CARD | P1 | |
| - | - | - | B58-0513-04 | CAUTION CARD (PRESET220-240) | Y1 | |
| - | - | - | B58-0964-13 | CAUTION CARD (UL) | KK1Y1 | |
| - | - | - | B58-0965-13 | CAUTION CARD (T,XtypePL) | X1 | |
| - | - | - | B58-0966-13 | CAUTION CARD (ELMtypePL) | M1E1E2 | |
| - | - | * | B58-0967-03 | CAUTION CARD (PtypePL) | P1 | |
| - | - | - | B59-1104-00 | SERVICE DIRECTORY | Y1 | |
| - | - | * | B60-4404-00 | INSTRUCTION MANUAL (EN) | KK1P1 | |
| - | - | * | B60-4404-00 | INSTRUCTION MANUAL (EN) | Y1M1X1 | |
| - | - | * | B60-4405-00 | INSTRUCTION MANUAL (FR) | P1E1E2 | |
| - | - | * | B60-4406-00 | INSTRUCTION MANUAL (GE/NE/IT) | E1E2 | |
| - | - | * | B60-4407-00 | INSTRUCTION MANUAL (ES) | M1E1E2 | |
| - | - | * | B60-4408-00 | INSTRUCTION MANUAL (TC) | M1 | |
| 617 | 2D | | D14-0389-04 | ROLLER | | |
| △ 620 | 1C | | E03-0115-05 | AC PLUG ADAPTER | M1 | |
| 621 | 1C | | E30-0505-05 | AUDIO CORD | | |
| △ 622 | 1E | | E30-2789-05 | AC POWER CORD | Y1 | |
| △ 622 | 1E | | E30-2790-05 | AC POWER CORD | X1 | |
| △ 622 | 1E | | E30-2842-05 | AC POWER CORD | M1E1E2 | |
| △ 622 | 1E | | E30-2909-05 | AC POWER CORD | KK1P1 | |
| 623 | 1C | | E30-2816-05 | CORD WITH PLUG | | |
| 625 | 1E | | E35-2059-05 | FLAT CABLE (37P) | | |
| 631 | 2E | | G11-2404-04 | CUSHION | | |
| - | - | * | H10-7606-02 | POLYSTYRENE FOAMED FIXTURE | | |
| - | - | * | H10-7607-02 | POLYSTYRENE FOAMED FIXTURE | | |
| - | - | * | H12-2487-04 | PACKING FIXTURE | | |
| - | - | | H20-0568-04 | PROTECTION COVER | M1 | |
| - | - | | H21-0303-04 | PROTECTION SHEET | | |
| - | - | | H25-0232-04 | PROTECTION BAG (235X350X0.03) | | |
| - | - | | H25-0661-04 | PROTECTION BAG | E2 | |

L : Scandinavia K : USA P : Canada R : Mexico C : China I : Malaysia

Y : PX(Far East,Hawaii) T : England E : Europe G : Germany V : China(Shanghai)

Y : AAFES(Europe) X : Australia Q : Russia H : Korea M : Other Areas △ indicates safety critical components .

3: CD-403/403-S/DPF-R3030/R3030-S 4: CD-404/DPF-R4030/R4030-S 6: CD-406/DPF-R6030

* New Parts

Parts without **Parts No.** are not supplied.Les articles non mentionnés dans le **Parts No.** ne sont pas fournis.Teile ohne **Parts No.** werden nicht geliefert.

②

| Ref. No | Add-ress | New Parts | Parts No. | Description | Desti-nation | Re-marks |
|---------------------------------|----------|-----------|-------------|-------------------------------|--------------|----------|
| - | - | | H25-0661-04 | PROTECTION BAG | KK1P1 | |
| - | - | * | H25-0661-04 | PROTECTION BAG | Y1X1E1 | |
| - | - | * | H50-3488-04 | ITEM CARTON CASE | KP1 | |
| - | - | * | H50-3489-04 | ITEM CARTON CASE | M1 | |
| - | - | * | H50-3490-04 | ITEM CARTON CASE | Y1E1 | |
| - | - | * | H50-3491-04 | ITEM CARTON CASE | X1E2 | |
| - | - | * | H50-3492-04 | ITEM CARTON CASE | K1 | |
| 634 | 2E | * | J02-1473-03 | FOOT | | |
| △ 637 | 1E | * | J42-0083-05 | POWER CORD BUSHING | | |
| 638 | 2D | * | J90-0811-04 | GUIDE | | |
| - | - | * | J61-0307-05 | WIRE BAND | E1E2 | |
| - | - | * | J61-0307-05 | WIRE BAND | Y1M1X1 | |
| 642 | 2D | * | K29-7611-02 | KNOB | E1 | |
| 642 | 2D | * | K29-7611-02 | KNOB | KP1Y1 | |
| 642 | 2D | * | K29-7612-02 | KNOB | E2 | |
| 642 | 2D | * | K29-7612-02 | KNOB | K1M1X1 | |
| 643 | 2D | * | K29-7762-02 | KNOB | E1 | |
| 643 | 2D | * | K29-7762-02 | KNOB | KP1Y1 | |
| 643 | 2D | * | K29-7763-02 | KNOB | E2 | |
| 643 | 2D | * | K29-7763-02 | KNOB | K1M1X1 | |
| △ 647 | 2E | * | L07-2784-05 | POWER TRANSFORMER | KK1P1 | |
| △ 647 | 2E | * | L07-2785-05 | POWER TRANSFORMER | Y1M1 | |
| △ 647 | 2E | * | L07-2786-05 | POWER TRANSFORMER | X1E1E2 | |
| CD-404/DPF-R4030/R4030-S | | | | | | |
| 601 | 1C | * | A01-3705-01 | METALLIC CABINET | E1 | |
| 601 | 1C | * | A01-3705-01 | METALLIC CABINET | KP1T1 | |
| 601 | 1C | * | A01-3706-01 | METALLIC CABINET | M1X1 | |
| 602 | 1C | * | A09-0356-08 | BATTERY COVER | | |
| 604 | 2C | * | A29-1064-02 | PANEL | E1 | |
| 604 | 2C | * | A29-1064-02 | PANEL | KP1T1 | |
| 604 | 2C | * | A29-1065-02 | PANEL | M1X1 | |
| 605 | 2C | * | A60-1706-01 | PANEL | KP1 | |
| 605 | 2C | * | A60-1708-01 | PANEL | M1X1 | |
| 605 | 2C | * | A60-1709-01 | PANEL | T1E1 | |
| 606 | 1C | * | A70-1339-05 | REMOTE CONTROLLER ASSY | | |
| 610 | 2D | * | B07-2471-02 | ESCUTCHEON | | |
| 611 | 2C | * | B10-3518-03 | FRONT GLASS | | |
| 613 | 2D | * | B12-0382-04 | INDICATOR | | |
| 614 | 2C | * | B43-0302-04 | KENWOOD BADGE | | |
| - | - | - | B46-0096-53 | WARRANTY CARD | X1 | |
| - | - | - | B46-0197-00 | QUESTIONNAIRE CARD | K | |
| - | - | - | B46-0310-03 | WARRANTY CARD | T1E1 | |
| - | - | - | B46-0328-03 | WARRANTY CARD | K | |
| - | - | - | B46-0347-03 | WARRANTY CARD | P1 | |
| - | - | - | B58-0945-03 | CAUTION CARD | T1 | |
| - | - | - | B58-0964-13 | CAUTION CARD (UL) | K | |
| - | - | - | B58-0965-13 | CAUTION CARD (T,XtypePL) | X1T1 | |
| - | - | - | B58-0966-13 | CAUTION CARD (ELMtypePL) | M1E1 | |
| - | - | * | B58-0967-03 | CAUTION CARD (PtypePL) | P1 | |
| - | - | * | B60-4404-00 | INSTRUCTION MANUAL (EN) | KP1M1 | |
| - | - | * | B60-4404-00 | INSTRUCTION MANUAL (EN) | X1T1 | |
| - | - | * | B60-4405-00 | INSTRUCTION MANUAL (FR) | P1E1 | |
| - | - | * | B60-4406-00 | INSTRUCTION MANUAL (GE/NE/IT) | E1 | |

L : Scandinavia K : USA P : Canada R : Mexico C : China I : Malaysia

Y : PX(Far East,Hawaii) T : England E : Europe G : Germany V : China(Shanghai)

Y : AAFES(Europe) X : Australia Q : Russia H : Korea M : Other Areas △ indicates safety critical components .

3: CD-403/403-S/DPF-R3030/R3030-S

4: CD-404/DPF-R4030/R4030-S

6: CD-406/DPF-R6030

* New Parts

Parts without **Parts No.** are not supplied.
Les articles non mentionnés dans le **Parts No.** ne sont pas fournis.
Teile ohne **Parts No.** werden nicht geliefert.

③

| Ref. No | Address | New Parts | Parts No. | Description | Destination | Remarks |
|-------------------------|---------|-----------|-------------|-------------------------------|-------------|---------|
| - | - | * | B60-4407-00 | INSTRUCTION MANUAL (ES) | M1E1 | |
| - | - | * | B60-4408-00 | INSTRUCTION MANUAL (TC) | M1 | |
| 617 | 2D | | D14-0389-04 | ROLLER | | |
| △ 620 | 1C | | E03-0115-05 | AC PLUG ADAPTER | M1 | |
| △ 621 | 1C | | E30-0505-05 | AUDIO CORD | | |
| △ 622 | 1E | | E30-2790-05 | AC POWER CORD | X1 | |
| △ 622 | 1E | | E30-2791-05 | AC POWER CORD | T1 | |
| △ 622 | 1E | | E30-2842-05 | AC POWER CORD | M1E1 | |
| △ 622 | 1E | | E30-2909-05 | AC POWER CORD | KP1 | |
| 623 | 1C | | E30-2816-05 | CORD WITH PLUG | | |
| 625 | 1E | | E35-2059-05 | FLAT CABLE (37P) | | |
| 631 | 2E | | G11-2404-04 | CUSHION | | |
| - | - | * | H10-7606-02 | POLYSTYRENE FOAMED FIXTURE | | |
| - | - | * | H10-7607-02 | POLYSTYRENE FOAMED FIXTURE | | |
| - | - | * | H12-2487-04 | PACKING FIXTURE | | |
| - | - | * | H20-0568-04 | PROTECTION COVER | M1 | |
| - | - | * | H21-0303-04 | PROTECTION SHEET | | |
| - | - | | H25-0232-04 | PROTECTION BAG (235X350X0.03) | KP1M1 | |
| - | - | | H25-0232-04 | PROTECTION BAG (235X350X0.03) | X1E1 | |
| - | - | | H25-0651-04 | PROTECTION BAG (0232 PRINT) | T1 | |
| - | - | | H25-0661-04 | PROTECTION BAG | KP1X1 | |
| - | - | | H25-0661-04 | PROTECTION BAG | T1E1 | |
| - | - | * | H50-3483-04 | ITEM CARTON CASE | KP1 | |
| - | - | * | H50-3485-04 | ITEM CARTON CASE | M1X1 | |
| - | - | * | H50-3486-04 | ITEM CARTON CASE | T1E1 | |
| 634 | 2E | * | J02-1473-03 | FOOT | | |
| 635 | 1E | * | J21-3326-05 | JACK MOUNTING HARDWARE | | |
| △ 637 | 1E | | J42-0083-05 | POWER CORD BUSHING | | |
| 638 | 2D | | J90-0851-04 | GUIDE | | |
| - | - | | J61-0307-05 | WIRE BAND | E1 | |
| - | - | | J61-0307-05 | WIRE BAND | M1X1T1 | |
| 642 | 2D | * | K29-7611-02 | KNOB | E1 | |
| 642 | 2D | * | K29-7611-02 | KNOB | KP1T1 | |
| 642 | 2D | * | K29-7612-02 | KNOB | M1X1 | |
| 643 | 2D | * | K29-7762-02 | KNOB | E1 | |
| 643 | 2D | * | K29-7762-02 | KNOB | KP1T1 | |
| 643 | 2D | * | K29-7763-02 | KNOB | M1X1 | |
| △ 647 | 2E | * | L07-2784-05 | POWER TRANSFORMER | KP1 | |
| △ 647 | 2E | * | L07-2785-05 | POWER TRANSFORMER | M1 | |
| △ 647 | 2E | * | L07-2786-05 | POWER TRANSFORMER | X1T1E1 | |
| CD-406/DPF-R6030 | | | | | | |
| 601 | 1C | * | A01-3705-01 | METALLIC CABINET | | |
| 602 | 1C | * | A09-0356-08 | BATTERY COVER | | |
| 604 | 2C | * | A29-1064-02 | PANEL | K | |
| 605 | 2C | * | A60-1714-01 | PANEL | Y1T1E1 | |
| 605 | 2C | * | A60-1716-01 | PANEL | | |
| 606 | 1C | * | A70-1339-05 | REMOTE CONTROLLER ASSY | | |
| 610 | 2D | * | B07-2471-02 | ESCUTCHEON | | |
| 611 | 2C | * | B10-3518-03 | FRONT GLASS | | |
| 613 | 2D | * | B12-0382-04 | INDICATOR | | |

L : Scandinavia K : USA P : Canada R : Mexico C : China I : Malaysia

Y : PX(Far East,Hawaii) T : England

E : Europe G : Germany V : China(Shanghai)

X : Australia Q : Russia

H : Korea M : Other Areas

△ indicates safety critical components.

3: CD-403/403-S/DPF-R3030/R3030-S

4: CD-404/DPF-R4030/R4030-S

6: CD-406/DPF-R6030

* New Parts

Parts without **Parts No.** are not supplied.
Les articles non mentionnés dans le **Parts No.** ne sont pas fournis.
Teile ohne **Parts No.** werden nicht geliefert.

④

| Ref. No | Address | New Parts | Parts No. | Description | Destination | Remarks |
|---|---------|-----------|---------------|-------------------------------|-------------|---------|
| 614 | 2C | | B43-0302-04 | KENWOOD BADGE | | |
| - | - | | B46-0197-00 | QUESTIONNAIRE CARD | K | |
| - | - | | B46-0310-03 | WARRANTY CARD | T1E1 | |
| - | - | | B46-0328-03 | WARRANTY CARD | KY1 | |
| - | - | | B58-0513-04 | CAUTION CARD (PRESET220-240) | Y1 | |
| - | - | | B58-0945-03 | CAUTION CARD | T1 | |
| - | - | | B58-0964-13 | CAUTION CARD (ULtype) | KY1 | |
| - | - | | B58-0965-13 | CAUTION CARD (T,XtypePL) | T1 | |
| - | - | | B58-0966-13 | CAUTION CARD (ELMtypePL) | E1 | |
| - | - | | B59-1104-00 | SERVICE DIRECTORY | Y1 | |
| - | - | * | B60-4404-00 | INSTRUCTION MANUAL (EN) | KY1T1 | |
| - | - | * | B60-4405-00 | INSTRUCTION MANUAL (FR) | E1 | |
| - | - | * | B60-4406-00 | INSTRUCTION MANUAL (GE/NE/IT) | E1 | |
| - | - | * | B60-4407-00 | INSTRUCTION MANUAL (ES) | E1 | |
| 617 | 2D | | D14-0389-04 | ROLLER | | |
| △ 621 | 1C | | E30-0505-05 | AUDIO CORD | | |
| △ 622 | 1E | | E30-2789-05 | AC POWER CORD | Y1 | |
| △ 622 | 1E | | E30-2791-05 | AC POWER CORD | T1 | |
| △ 622 | 1E | | E30-2842-05 | AC POWER CORD | E1 | |
| △ 622 | 1E | | E30-2909-05 | AC POWER CORD | K | |
| 623 | 1C | | E30-2816-05 | CORD WITH PLUG | | |
| 624 | 1E,2D | | E35-0148-05 | WIRING HARNESS(FLAT CABLE)21P | | |
| 631 | 2E | | G11-2404-04 | CUSHION | | |
| - | - | * | H10-7606-02 | POLYSTYRENE FOAMED FIXTURE | | |
| - | - | * | H10-7607-02 | POLYSTYRENE FOAMED FIXTURE | | |
| - | - | * | H12-2487-04 | PACKING FIXTURE | | |
| - | - | * | H21-0303-04 | PROTECTION SHEET | | |
| - | - | * | H25-0232-04 | PROTECTION BAG (235X350X0.03) | KY1E1 | |
| - | - | * | H25-0651-04 | PROTECTION BAG (0232 PRINT) | T1 | |
| - | - | * | H25-0661-04 | PROTECTION BAG | | |
| - | - | * | H50-3493-04 | ITEM CARTON CASE | K | |
| - | - | * | H50-3494-04 | ITEM CARTON CASE | Y1T1E1 | |
| 634 | 2E | * | J02-1473-03 | FOOT | | |
| 635 | 2D | * | J21-3326-05 | JACK MOUNTING HARDWARE | | |
| △ 637 | 1E | | J42-0083-05 | POWER CORD BUSHING | | |
| 638 | 2D | | J90-0851-04 | GUIDE | | |
| - | - | | J61-0307-05 | WIRE BAND | | |
| 642 | 2D | * | K29-7614-04 | KNOB ASSY | | |
| 643 | 2D | * | K29-7762-02 | KNOB | | |
| △ 647 | 2E | * | L07-2827-05 | POWER TRANSFORMER | K | |
| △ 647 | 2E | * | L07-2828-05 | POWER TRANSFORMER | Y1 | |
| △ 647 | 2E | * | L07-2829-05 | POWER TRANSFORMER | T1E1 | |
| DISPLAY UNIT (X25-6310-10) CD-406/DPF-R6030 only | | | | | | |
| D301-305 | | | B30-2467-05 | LED | | |
| D306 | | | B30-2493-05 | LED | | |
| C301 | | * | CK73FB1C104K | CHIP C | 0.10UF | K |
| C302 | | * | CE04RW0J101M | ELECTRO | 100UF | 6.3WV |
| C303 | | * | CC73FSL1H330J | CHIP C | 33PF | J |
| C304 | | * | CK73FB1H102K | CHIP C | 1000PF | K |
| C305 | | * | CK45FF1H103Z | CERAMIC | 0.010UF | Z |
| C306 | | * | CK73FB1H103K | CHIP C | 0.010UF | K |

L : Scandinavia K : USA P : Canada R : Mexico C : China I : Malaysia

Y : PX(Far East,Hawaii) T : England

E : Europe G : Germany V : China(Shanghai)

X : Australia Q : Russia

H : Korea M : Other Areas

△ indicates safety critical components.

3: CD-403/403-S/DPF-R3030/R3030-S

4: CD-404/DPF-R4030/R4030-S

6: CD-406/DPF-R6030

CD-403/403-S/404/406/DPF-R3030/R3030-S/R4030/R4030-S/R6030
PARTS LIST

* New Parts

Parts without **Parts No.** are not supplied.
 Les articles non mentionnés dans le **Parts No.** ne sont pas fournis.
 Teile ohne **Parts No.** werden nicht geliefert.

5

| Ref. No | Add-ress | New Parts | Parts No. | Description | Desti-nation | Re-marks |
|-------------------------------------|----------|-----------|---------------|----------------------------|--------------|----------|
| CN8 | | | E40-4946-05 | FLAT CABLE CONNECTOR | | |
| - | | * | J19-5789-14 | HOLDER | | |
| R301 | | | RK73FB2A331J | CHIP R | 330 | J 1/10W |
| R305 | | | RK73FB2A331J | CHIP R | 330 | J 1/10W |
| R328 | | | RK73FB2A473J | CHIP R | 47K | J 1/10W |
| R330 | | | RK73FB2A1R0J | CHIP R | 1.0 | J 1/10W |
| R331 | | | RK73FB2A472J | CHIP R | 4.7K | J 1/10W |
| R408 | | | RK73FB2A361J | CHIP R | 360 | J 1/10W |
| R410 | | | RK73FB2A183J | CHIP R | 18K | J 1/10W |
| R411 | | | RK73FB2A822J | CHIP R | 8.2K | J 1/10W |
| R412 | | | RK73FB2A472J | CHIP R | 4.7K | J 1/10W |
| R413 | | | RK73FB2A272J | CHIP R | 2.7K | J 1/10W |
| R414 | | | RK73FB2A132J | CHIP R | 1.3K | J 1/10W |
| R415 | | | RK73FB2A361J | CHIP R | 360 | J 1/10W |
| R417 | | | RK73FB2A183J | CHIP R | 18K | J 1/10W |
| R421 | | | RK73FB2A132J | CHIP R | 1.3K | J 1/10W |
| R422 | | | RK73FB2A361J | CHIP R | 360 | J 1/10W |
| S401-404 | | | S70-0031-05 | TACT SWITCH | | |
| S405,406 | | | S70-0802-05 | TACT SWITCH | | |
| S407-413 | | | S70-0031-05 | TACT SWITCH | | |
| S414-416 | | | S70-0802-05 | TACT SWITCH | | |
| S417-420 | | | S70-0031-05 | TACT SWITCH | | |
| ED1 | | * | HNA-16SM01 | FLUORESCENT INDICATOR TUBE | | |
| IC1 | | | LC75712E | MOS-IC | | |
| Q101-105 | | | UN5212 | DIGITAL TRANSISTOR | | |
| A2 | | | W02-2537-05 | ELECTRIC CIRCUIT MODULE | | |
| CD PLAYER UNIT (X32-375X-XX) | | | | | | |
| D61 | | | B30-2493-05 | LED | | 34 |
| C1 ,2 | | | CK45FF1H103Z | CERAMIC | 0.010UF | Z |
| C4 | | | CE04KW1C332M | ELECTRO | 3300UF | 16WV |
| C5 | | | CE04KW1J221M | ELECTRO | 220UF | 63WV |
| C6 | | | CK73FF1C105Z | CHIP C | 1.0UF | Z |
| C7 ,8 | | | CE04KW1A101M | ELECTRO | 100UF | 10WV |
| C9 | | | CE04KW1H470M | ELECTRO | 47UF | 50WV |
| C10 ,11 | | | CE04KW1A101M | ELECTRO | 100UF | 10WV |
| C12 | | | CK73FF1C105Z | CHIP C | 1.0UF | Z |
| C13 | | | CK73FB1H103K | CHIP C | 0.010UF | K |
| C31 | | | CK73FF1E104Z | CHIP C | 0.10UF | Z |
| C32 -34 | | | CE04KW1A101M | ELECTRO | 100UF | 10WV |
| C35 | | | CC73FCH1H180J | CHIP C | 18PF | J |
| C36 | | | CK73FF1C105Z | CHIP C | 1.0UF | Z |
| C42 ,43 | | | CE04KW1A101M | ELECTRO | 100UF | 10WV |
| C44 | | | CK73FB1H183K | CHIP C | 0.018UF | K |
| C71 | | | CC73FSL1H221J | CHIP C | 220PF | J |
| C72 | | | CK73FB1H223K | CHIP C | 0.022UF | K |
| C73 | | | CC73FSL1H471J | CHIP C | 470PF | J |
| C74 | | | CK73FF1C105Z | CHIP C | 1.0UF | Z |
| C75 | | | CK73FF1C474Z | CHIP C | 0.47UF | Z |
| C76 | | | CK73FF1E104Z | CHIP C | 0.10UF | Z |
| C77 | | | CK73FB1H332K | CHIP C | 3300PF | K |
| C78 | | | CK73FB1H103K | CHIP C | 0.010UF | K |
| C79 | | | CK73FB1H152K | CHIP C | 1500PF | K |

L : Scandinavia K : USA P : Canada R : Mexico C : China I : Malaysia

Y : PX(Far East,Hawaii) T : England E : Europe G : Germany V : China(Shanghai)

Y : AAFES(Europe) X : Australia Q : Russia H : Korea M : Other Areas Δ indicates safety critical components.

3: CD-403/403-S/DPF-R3030/R3030-S 4: CD-404/DPF-R4030/R4030-S 6: CD-406/DPF-R6030

* New Parts

Parts without **Parts No.** are not supplied.
 Les articles non mentionnés dans le **Parts No.** ne sont pas fournis.
 Teile ohne **Parts No.** werden nicht geliefert.

6

| Ref. No | Add-ress | New Parts | Parts No. | Description | Desti-nation | Re-marks |
|--------------|----------|-----------|---------------|----------------------|--------------|----------|
| C80 | | | CK73FB1H473K | CHIP C | 0.047UF | K |
| C81 | | | CK73FF1C105Z | CHIP C | 1.0UF | Z |
| C82 | | | CE04KW1A101M | ELECTRO | 100UF | 10WV |
| C83 | | | CE04KW0J471M | ELECTRO | 470UF | 6.3WV |
| C84 | | | CK73FF1E104Z | CHIP C | 0.10UF | Z |
| C85 ,86 | | | CC73FCH1H470J | CHIP C | 47PF | J |
| C87 | | | CC73FSL1H102J | CHIP C | 1000PF | J |
| C91 ,92 | | | CC73FSL1H151J | CHIP C | 150PF | J |
| C93 ,94 | | | CC73FSL1H821J | CHIP C | 820PF | J |
| C95 | | | CK73FB1H472K | CHIP C | 4700PF | K |
| C111,112 | | | CK73FF1E104Z | CHIP C | 0.10UF | Z |
| C131 | | | CE04KW1A101M | ELECTRO | 100UF | 10WV |
| C135 | | | CE04KW0J331M | ELECTRO | 330UF | 6.3WV |
| C136 | | | CK73FF1E104Z | CHIP C | 0.10UF | Z |
| C137 | | | CE04KW0J331M | ELECTRO | 330UF | 6.3WV |
| C139 | | | CK73FF1E104Z | CHIP C | 0.10UF | Z |
| C151,152 | | | CC73FSL1H391J | CHIP C | 390PF | J |
| C153-156 | | | CC73FSL1H181J | CHIP C | 180PF | J |
| C157,158 | | | CK73FB1H332K | CHIP C | 3300PF | K |
| C159,160 | | | CC73FSL1H181J | CHIP C | 180PF | J |
| C161,162 | | | CK73FF1C105Z | CHIP C | 1.0UF | Z |
| C163,164 | | | CK73FF1C105Z | CHIP C | 1.0UF | Z |
| C169,170 | | | CE04KW1A470M | ELECTRO | 47UF | 10WV |
| C171,172 | | | CC73FSL1H331J | CHIP C | 330PF | J |
| C211,212 | | | CK73FF1C105Z | CHIP C | 1.0UF | Z |
| C213-216 | | | CC73FSL1H101J | CHIP C | 100PF | J |
| C217,218 | | | CE04KW0J331M | ELECTRO | 330UF | 6.3WV |
| C219 | | | CK73FB1H103K | CHIP C | 0.010UF | K |
| C231 | | | CK73FF1E104Z | CHIP C | 0.10UF | Z |
| C232 | | | CK73FB1H103K | CHIP C | 0.010UF | K |
| C233,234 | | | CK73FF1C105Z | CHIP C | 1.0UF | Z |
| C235 | | | CC73FSL1H101J | CHIP C | 100PF | J |
| C236 | | | CK73FB1H103K | CHIP C | 0.010UF | K |
| C241,242 | | | CC73FSL1H221J | CHIP C | 220PF | J |
| C243 | | | CK73FB1H103K | CHIP C | 0.010UF | K |
| C401 | | | CK73FF1C105Z | CHIP C | 1.0UF | Z |
| C402 | | | CK73FB1H103K | CHIP C | 0.010UF | K |
| C501 | | | CE04KW1A101M | ELECTRO | 100UF | 10WV |
| C502 | | | CK73FF1C105Z | CHIP C | 1.0UF | Z |
| C503 | | | CK45FF1H103Z | CERAMIC | 0.010UF | Z |
| C504 | | | CK73FB1H103K | CHIP C | 0.010UF | K |
| C505 | | | CK73FB1H472K | CHIP C | 4700PF | K |
| Δ CN1 | | | E40-4245-05 | PIN ASSY | | |
| CN2 | | | E40-3250-05 | PIN ASSY | | |
| CN3 | | | E40-3248-05 | PIN ASSY | | |
| CN4 | | | E40-8037-05 | FLAT CABLE CONNECTOR | | |
| CN5 | | | E40-4932-05 | FLAT CABLE CONNECTOR | | |
| CN6 | | | E40-3252-05 | PIN ASSY | | |
| CN7 | | | E40-4908-05 | FLAT CABLE CONNECTOR | | 6 |
| CN8 | | | E40-4924-05 | FLAT CABLE CONNECTOR | | 34 |
| CN9 | | | E40-4962-05 | FLAT CABLE CONNECTOR | | 34 |
| CN10 | | | E40-4932-05 | FLAT CABLE CONNECTOR | | |
| J1 | | | E63-0122-05 | PIN JACK | | |
| J2 | | | E63-0199-05 | PIN JACK | | 6 |

L : Scandinavia K : USA P : Canada R : Mexico C : China I : Malaysia

Y : PX(Far East,Hawaii) T : England E : Europe G : Germany V : China(Shanghai)

Y : AAFES(Europe) X : Australia Q : Russia H : Korea M : Other Areas Δ indicates safety critical components.

3: CD-403/403-S/DPF-R3030/R3030-S 4: CD-404/DPF-R4030/R4030-S 6: CD-406/DPF-R6030

* New Parts

Parts without **Parts No.** are not supplied.
 Les articles non mentionnés dans le **Parts No.** ne sont pas fournis.
 Teile ohne **Parts No.** werden nicht geliefert.

7

| Ref. No | Add-ress | New Parts | Parts No. | Description | Desti-nation | Re-marks |
|---------|----------|-----------|--------------|-------------------------------|--------------|----------|
| J3 | | | E11-0347-05 | MINIATURE PHONE JACK(2P) | | |
| J4 | | | E11-0127-05 | PHONE JACK (3P) | | |
| - | | | J19-3647-14 | HOLDER | | |
| E11 -14 | | | J11-0808-05 | WIRE CLAMPER | | |
| E15 | | | J11-0808-05 | WIRE CLAMPER | | |
| L1 ,2 | | | L40-1001-82 | SMALL FIXED INDUCTOR(10UH) | | |
| L3 | | | L40-1001-82 | SMALL FIXED INDUCTOR(10UH) | | |
| X1 | | | L77-2190-05 | CRYSTAL RESONATOR(16.9344MHZ) | | |
| X2 | | | L78-0284-05 | RESONATOR (5MHZ) | | |
| CP1 | | | R90-0483-05 | MULTI-COMP 100KX13 | J | 1/6W |
| CP2 | | | R90-0895-05 | MULTI-COMP 10KX9 | | |
| CP3 | | | R90-0892-05 | MULTI-COMP 4.7KX5 | | |
| R2 | | | RK73FB2A104J | CHIP R 100K | J | 1/10W |
| R3 | | | RK73FB2A471J | CHIP R 470 | J | 1/10W |
| R4 | | | RK73FB2A102J | CHIP R 1.0K | J | 1/10W |
| R5 | | | RK73FB2A471J | CHIP R 470 | J | 1/10W |
| R6 | | | RK73FB2A822J | CHIP R 8.2K | J | 1/10W |
| R7 | | | RK73FB2A303J | CHIP R 30K | J | 1/10W |
| R7 | | | RK73FB2A393J | CHIP R 39K | J | 1/10W |
| R8 | | | RK73FB2A103J | CHIP R 10K | J | 1/10W |
| R8 | | | RK73FB2A153J | CHIP R 15K | J | 1/10W |
| R9 | | | RK73FB2A473J | CHIP R 47K | J | 1/10W |
| R10 | | | RK73FB2A103J | CHIP R 10K | J | 1/10W |
| R11 ,12 | | | RK73FB2A101J | CHIP R 100 | J | 1/10W |
| R13 | | | RK73FB2A103J | CHIP R 10K | J | 1/10W |
| R14 | | | RK73FB2A102J | CHIP R 1.0K | J | 1/10W |
| R15 | | | RK73FB2A221J | CHIP R 220 | J | 1/10W |
| R18 | | | RK73FB2A472J | CHIP R 4.7K | J | 1/10W |
| R21 | | | RS14KB3D331J | FL-PROOF RS 330 | J | 2W |
| R21 | | | RS14KB3D561J | FL-PROOF RS 560 | J | 2W |
| R31 | | | RK73FB2A102J | CHIP R 1.0K | J | 1/10W |
| R32 | | | RK73FB2A224J | CHIP R 220K | J | 1/10W |
| R33 -36 | | | RK73FB2A1R0J | CHIP R 1.0 | J | 1/10W |
| R37 | | | RK73FB2A224J | CHIP R 220K | J | 1/10W |
| R38 | | | RK73FB2A100J | CHIP R 10 | J | 1/10W |
| R39 | | | RK73FB2A473J | CHIP R 47K | J | 1/10W |
| R42 | | | RK73FB2A273J | CHIP R 27K | J | 1/10W |
| R43 | | | RK73FB2A153J | CHIP R 15K | J | 1/10W |
| R44 ,45 | | | RK73FB2A101J | CHIP R 100 | J | 1/10W |
| R47 | | | RK73FB2A473J | CHIP R 47K | J | 1/10W |
| R48 | | | RK73FB2A472J | CHIP R 4.7K | J | 1/10W |
| R49 -50 | | | RK73FB2A103J | CHIP R 10K | J | 1/10W |
| R51 | | | RK73FB2A364J | CHIP R 360K | J | 1/10W |
| R52 | | | RK73FB2A474J | CHIP R 470K | J | 1/10W |
| R54 | | | RK73FB2A224J | CHIP R 220K | J | 1/10W |
| R55 | | | RK73FB2A912J | CHIP R 9.1K | J | 1/10W |
| R56 | | | RK73FB2A473J | CHIP R 47K | J | 1/10W |
| R71 | | | RK73FB2A153J | CHIP R 15K | J | 1/10W |
| R72 | | | RK73FB2A104J | CHIP R 100K | J | 1/10W |
| R73 | | | RK73FB2A153J | CHIP R 15K | J | 1/10W |
| R74 | | | RK73FB2A472J | CHIP R 4.7K | J | 1/10W |
| R76 | | | RK73FB2A333J | CHIP R 33K | J | 1/10W |
| R77 | | | RK73FB2A104J | CHIP R 100K | J | 1/10W |
| R78 | | | RK73FB2A105J | CHIP R 1.0M | J | 1/10W |

L : Scandinavia K : USA P : Canada R : Mexico C : China I : Malaysia
 Y : PX(Far East,Hawaii) T : England E : Europe G : Germany V : China(Shanghai)
 Y : AAFES(Europe) X : Australia Q : Russia H : Korea M : Other Areas Δ indicates safety critical components .

3: CD-403/403-S/DPF-R3030/R3030-S 4: CD-404/DPF-R4030/R4030-S 6: CD-406/DPF-R6030

* New Parts

Parts without **Parts No.** are not supplied.
 Les articles non mentionnés dans le **Parts No.** ne sont pas fournis.
 Teile ohne **Parts No.** werden nicht geliefert.

8

| Ref. No | Add-ress | New Parts | Parts No. | Description | Desti-nation | Re-marks |
|----------|----------|-----------|--------------|-------------|--------------|----------|
| R79 | | | RK73FB2A103J | CHIP R 10K | J | 1/10W |
| R80 ,81 | | | RK73FB2A332J | CHIP R 3.3K | J | 1/10W |
| R82 | | | RK73FB2A471J | CHIP R 470 | J | 1/10W |
| R84 | | | RD14NB2E100J | RD 10 | J | 1/4W |
| R87 ,88 | | | RK73FB2A472J | CHIP R 4.7K | J | 1/10W |
| R89 | | | RK73FB2A473J | CHIP R 47K | J | 1/10W |
| R90 | | | RK73FB2A222J | CHIP R 2.2K | J | 1/10W |
| R91 -96 | | | RK73FB2A103J | CHIP R 10K | J | 1/10W |
| R111,112 | | | RK73FB2A103J | CHIP R 10K | J | 1/10W |
| R113 | | | RK73FB2A133J | CHIP R 13K | J | 1/10W |
| R114 | | | RK73FB2A332J | CHIP R 3.3K | J | 1/10W |
| R115,116 | | | RK73FB2A181J | CHIP R 180 | J | 1/10W |
| R117 | | | RK73FB2A332J | CHIP R 3.3K | J | 1/10W |
| R134 | | | RK73FB2A471J | CHIP R 470 | J | 1/10W |
| R135 | | | RK73FB2A223J | CHIP R 22K | J | 1/10W |
| R151-154 | | | RK73FB2A332J | CHIP R 3.3K | J | 1/10W |
| R155-158 | | | RK73FB2A272J | CHIP R 2.7K | J | 1/10W |
| R159-162 | | | RK73FB2A183J | CHIP R 18K | J | 1/10W |
| R163-168 | | | RK73FB2A472J | CHIP R 4.7K | J | 1/10W |
| R183-186 | | | RK73FB2A362J | CHIP R 3.6K | J | 1/10W |
| R187,188 | | | RK73FB2A182J | CHIP R 1.8K | J | 1/10W |
| R189,190 | | | RK73FB2A104J | CHIP R 100K | J | 1/10W |
| R191,192 | | | RK73FB2A752J | CHIP R 7.5K | J | 1/10W |
| R193,194 | | | RK73FB2A561J | CHIP R 560 | J | 1/10W |
| R195,196 | | | RK73FB2A331J | CHIP R 330 | J | 1/10W |
| R211,212 | | | RK73FB2A104J | CHIP R 100K | J | 1/10W |
| R215,216 | | | RD14NB2E470J | RD 47 | J | 1/4W |
| R217,218 | | | RK73FB2A102J | CHIP R 1.0K | J | 1/10W |
| R231 | | | RD14NB2E4R7J | RD 4.7 | J | 1/4W |
| R232 | | | RD14NB2E331J | RD 330 | J | 1/4W |
| R233 | | | RK73FB2A223J | CHIP R 22K | J | 1/10W |
| R234 | | | RK73FB2A104J | CHIP R 100K | J | 1/10W |
| R235 | | | RK73FB2A151J | CHIP R 150 | J | 1/10W |
| R236 | | | RK73FB2A750J | CHIP R 75 | J | 1/10W |
| R237 | | | RK73FB2A220J | CHIP R 22 | J | 1/10W |
| R238 | | | RK73FB2A471J | CHIP R 470 | J | 1/10W |
| R241,242 | | | RK73FB2A331J | CHIP R 330 | J | 1/10W |
| R243-246 | | | RK73FB2A104J | CHIP R 100K | J | 1/10W |
| R401 | | | RK73FB2A472J | CHIP R 4.7K | J | 1/10W |
| R402 | | | RK73FB2A563J | CHIP R 56K | J | 1/10W |
| R403 | | | RK73FB2A183J | CHIP R 18K | J | 1/10W |
| R404 | | | RK73FB2A822J | CHIP R 8.2K | J | 1/10W |
| R405 | | | RK73FB2A472J | CHIP R 4.7K | J | 1/10W |
| R406 | | | RK73FB2A272J | CHIP R 2.7K | J | 1/10W |
| R407 | | | RK73FB2A132J | CHIP R 1.3K | J | 1/10W |
| R408 | | | RK73FB2A361J | CHIP R 360 | J | 1/10W |
| R409 | | | RK73FB2A472J | CHIP R 4.7K | J | 1/10W |
| R410 | | | RK73FB2A183J | CHIP R 18K | J | 1/10W |
| R411 | | | RK73FB2A822J | CHIP R 8.2K | J | 1/10W |
| R412 | | | RK73FB2A472J | CHIP R 4.7K | J | 1/10W |
| R413 | | | RK73FB2A272J | CHIP R 2.7K | J | 1/10W |
| R414 | | | RK73FB2A132J | CHIP R 1.3K | J | 1/10W |
| R415 | | | RK73FB2A361J | CHIP R 360 | J | 1/10W |
| R416 | | | RK73FB2A472J | CHIP R 4.7K | J | 1/10W |
| R417 | | | RK73FB2A183J | CHIP R 18K | J | 1/10W |

L : Scandinavia K : USA P : Canada R : Mexico C : China I : Malaysia
 Y : PX(Far East,Hawaii) T : England E : Europe G : Germany V : China(Shanghai)
 Y : AAFES(Europe) X : Australia Q : Russia H : Korea M : Other Areas Δ indicates safety critical components .

3: CD-403/403-S/DPF-R3030/R3030-S 4: CD-404/DPF-R4030/R4030-S 6: CD-406/DPF-R6030

CD-403/403-S/404/406/DPF-R3030/R3030-S/R4030/R4030-S/R6030
 PARTS LIST

* New Parts

Parts without **Parts No.** are not supplied.Les articles non mentionnés dans le **Parts No.** ne sont pas fournis.Teile ohne **Parts No.** werden nicht geliefert.

9

| Ref. No | Add-ress | New Parts | Parts No. | Description | Desti-nation | Re-marks |
|----------|----------|-----------|--------------|------------------------------|--------------|----------|
| R418 | | | RK73FB2A822J | CHIP R 8.2K J 1/10W | | 34 |
| R419 | | | RK73FB2A472J | CHIP R 4.7K J 1/10W | | 34 |
| R420 | | | RK73FB2A272J | CHIP R 2.7K J 1/10W | | 34 |
| R421 | | | RK73FB2A132J | CHIP R 1.3K J 1/10W | | 34 |
| R422 | | | RK73FB2A361J | CHIP R 360 J 1/10W | | 34 |
| R423 | | | RD14NB2E1R0J | RD 1.0 J 1/4W | | 34 |
| R424 | | | RK73FB2A473J | CHIP R 47K J 1/10W | | 34 |
| R501 | | | RD14NB2E2R2J | RD 2.2 J 1/4W | | |
| R502-507 | | | RK73FB2A331J | CHIP R 330 J 1/10W | | |
| R508 | | | RK73FB2A473J | CHIP R 47K J 1/10W | | |
| R529-533 | | | RK73FB2A331J | CHIP R 330 J 1/10W | | |
| R534 | | | RK73FB2A472J | CHIP R 4.7K J 1/10W | | |
| R538 | | | RK73FB2A102J | CHIP R 1.0K J 1/10W | | |
| R539 | | | RK73FB2A104J | CHIP R 100K J 1/10W | | |
| R540 | | | RK73FB2A331J | CHIP R 330 J 1/10W | | |
| R551 | | | RK73FB2A102J | CHIP R 1.0K J 1/10W | | 34 |
| R552 | | | RK73FB2A102J | CHIP R 1.0K J 1/10W | | 6 |
| R553-555 | | | RK73FB2A103J | CHIP R 10K J 1/10W | | |
| VR1 | | | R32-0038-05 | SEMI FIXED VARIABLE RESISTOR | | |
| W501-505 | | | R92-0670-05 | CHIP R 0 OHM | | |
| W508-511 | | | R92-0670-05 | CHIP R 0 OHM | | |
| W514-520 | | | R92-0670-05 | CHIP R 0 OHM | | |
| W522-530 | | | R92-0670-05 | CHIP R 0 OHM | | |
| S1 | | | S31-2131-05 | SLIDE SWITCH (POWER TYPE) | Y1M1 | |
| S401-420 | | | S70-0031-05 | TACT SWITCH | | 34 |
| PH1 | | | T95-0145-05 | OPTO ISOLATOR | | |
| D1 | | | D3SBA20F03 | DIODE | | |
| D2 | | | S5688B | DIODE | | |
| D7 | | | UDZ8.2B | ZENER DIODE | | 6 |
| D8 | | | UDZ15B | ZENER DIODE | | 34 |
| D8 | | | UDZ5.6B | ZENER DIODE | | |
| D9 | | | UDZ5.6B | ZENER DIODE | | |
| D11 | | | MTZJ3.9(B) | ZENER DIODE | | 34 |
| D11 | | | RD3.9ES(B) | ZENER DIODE | | 34 |
| D11 -14 | | | MTZJ5.6(B) | ZENER DIODE | | 6 |
| D11 -14 | | | RD5.6ES(B) | ZENER DIODE | | 6 |
| D12 | | | MTZJ4.7(B) | ZENER DIODE | | 34 |
| D12 | | | RD4.7ES(B) | ZENER DIODE | | 34 |
| D13 | | | MTZJ3.9(B) | ZENER DIODE | | 34 |
| D13 | | | RD3.9ES(B) | ZENER DIODE | | 34 |
| D14 | | | MTZJ4.7(B) | ZENER DIODE | | 34 |
| D14 | | | RD4.7ES(B) | ZENER DIODE | | 34 |
| D31 | | | MA111 | DIODE | | |
| D33 | | | MA111 | DIODE | | |
| D35 -37 | | | MA111 | DIODE | | |
| D38 | | | UDZ4.7B | ZENER DIODE | | |
| D39 ,40 | | | MA111 | DIODE | | 34 |
| D41 -48 | | | MA111 | DIODE | | |
| D62 | | * | SIR-34ST3F | INFRARED LED | | |
| ED1 | | | 10-BT-131GK | FLUORESCENT INDICATOR TUBE | | 34 |
| IC1 | | | ICP-N25 | ANALOGUE IC | | |
| IC2 | | | ICP-N20 | ANALOGUE IC | | |
| IC3 | | | PST993D-T | ANALOGUE IC | | |

L : Scandinavia K : USA P : Canada R : Mexico C : China I : Malaysia

Y : PX(Far East,Hawaii) T : England E : Europe G : Germany V : China(Shanghai)

Y : AAFES(Europe) X : Australia Q : Russia H : Korea M : Other Areas Δ indicates safety critical components .

3: CD-403/403-S/DPF-R3030/R3030-S 4: CD-404/DPF-R4030/R4030-S 6: CD-406/DPF-R6030

* New Parts

Parts without **Parts No.** are not supplied.Les articles non mentionnés dans le **Parts No.** ne sont pas fournis.Teile ohne **Parts No.** werden nicht geliefert.

10

| Ref. No | Add-ress | New Parts | Parts No. | Description | Desti-nation | Re-marks |
|---|----------|-----------|----------------|-------------------------|--------------|----------|
| IC4 | | | CXA1821M | ANALOGUE IC | | |
| IC5 | | | BA5979S | ANALOGUE IC | | |
| IC6 | | | CXD2587Q* | MOS-IC | | |
| IC7 ,8 | | | TA8409S | MOS-IC | | |
| IC9 | | | KAN03 | CUSTOM IC | | 6 |
| IC11,12 | | | NJM4565M | ANALOGUE IC | | 6 |
| IC13 | | | NJM4565M | ANALOGUE IC | | 34 |
| IC14 | | | NJM4580ED | ANALOGUE IC | | 46 |
| IC15 | | * | UPD780206GF059 | MI-COM IC | | |
| IC16 | | | TC74HCU04AF | IC(HEX INVERTER SMD) | | 6 |
| IC17 | | * | S-24C01BFJ | MEMORY IC | | |
| PH2 | | | RPT-38PT3F | PHOTO TRANSISTOR | | |
| Q1 | | | 2SB1370 | TRANSISTOR | | |
| Q1 | | | 2SB1375 | TRANSISTOR | | |
| Q3 | | | 2SC4081(R,S) | TRANSISTOR | | |
| Q3 | | | 2SC4116(Y,GR) | TRANSISTOR | | |
| Q4 | | | DTA124EUA | DIGITAL TRANSISTOR | | |
| Q4 | | | UN5112 | DIGITAL TRANSISTOR | | |
| Q5 | | | 2SA1576A(R,S) | TRANSISTOR | | |
| Q5 | | | 2SA1586(Y,GR) | TRANSISTOR | | |
| Q6 | | | 2SB1370 | TRANSISTOR | | |
| Q6 | | | 2SB1375 | TRANSISTOR | | |
| Q7 | | | 2SC3940A(R,S) | TRANSISTOR | | |
| Q8 | | | DTC124EUA | DIGITAL TRANSISTOR | | |
| Q8 | | | UN5212 | DIGITAL TRANSISTOR | | |
| Q9 | | | 2SC3940A(R,S) | TRANSISTOR | | |
| Q10 | | | DTC124EUA | DIGITAL TRANSISTOR | | |
| Q10 | | | UN5212 | DIGITAL TRANSISTOR | | |
| Q11 ,12 | | | 2SD1450(S,T) | TRANSISTOR | | |
| Q13 | | | 2SA954(L,K) | TRANSISTOR | | |
| Q14 | | | 2SA1534A | TRANSISTOR | | |
| Q15 ,16 | | | DTA124EUA | DIGITAL TRANSISTOR | | |
| Q15 ,16 | | | UN5112 | DIGITAL TRANSISTOR | | |
| Q17 ,18 | | | 2SD1450(S,T) | TRANSISTOR | | |
| Q19 ,20 | | | DTC124EUA | DIGITAL TRANSISTOR | | |
| Q19 ,20 | | | UN5212 | DIGITAL TRANSISTOR | | |
| Q21 | | | 2SA1576A(R,S) | TRANSISTOR | | |
| Q21 | | | 2SA1586(Y,GR) | TRANSISTOR | | |
| Q23 | | | DTA124EUA | DIGITAL TRANSISTOR | | |
| Q23 | | | UN5112 | DIGITAL TRANSISTOR | | |
| A1 | | | W02-1114-15 | OSCILLATING MODULE | | |
| A2 | | | W02-2537-05 | ELECTRIC CIRCUIT MODULE | | 34 |
| MECHANISM ASSY (X92-2150-10/X92-2160-21) | | | | | | |
| 1 | 3B | | A10-3360-01 | CHASSIS | | |
| 2 | 1A | | A11-1126-02 | SUB CHASSIS | | |
| 3 | 1A | | A11-1127-12 | SUB CHASSIS | | |
| 5 | 2B | | B09-0255-04 | CAP | | |
| 7 | 2A | | D10-3740-13 | ARM | | |
| 8 | 2B | | D10-3741-02 | SLIDER | | |
| 9 | 1A | | D13-1829-04 | GEAR | | |
| 10 | 2A | | D13-1830-14 | GEAR | | |
| 11 | 2A | | D13-1831-04 | GEAR | | |
| 12 | 2D | | D13-1833-04 | WORM | | |
| 13 | 2C | | D13-1832-04 | GEAR | | |

L : Scandinavia K : USA P : Canada R : Mexico C : China I : Malaysia

Y : PX(Far East,Hawaii) T : England E : Europe G : Germany V : China(Shanghai)

Y : AAFES(Europe) X : Australia Q : Russia H : Korea M : Other Areas Δ indicates safety critical components .

3: CD-403/403-S/DPF-R3030/R3030-S 4: CD-404/DPF-R4030/R4030-S 6: CD-406/DPF-R6030

* New Parts

Parts without **Parts No.** are not supplied.

Les articles non mentionnés dans le **Parts No.** ne sont pas fournis.

Teile ohne **Parts No.** werden nicht geliefert.



| Ref. No | Add-ress | New Parts | Parts No. | Description | Desti-nation | Re-marks |
|---------|----------|-----------|-------------|-----------------------------|--------------|----------|
| 14 | 2A,2C | | D14-0389-04 | ROLLER | | |
| 16 | 3A | | D15-0407-04 | MOTOR PULLEY | | |
| 17 | 1A | | D16-0355-03 | BELT | | |
| 18 | 2A | | D21-1763-14 | SHAFT | | |
| 19 | 1B | | D10-3606-08 | RDD (TRAVERSE) | | |
| 20 | 1B | | D13-1720-08 | GEAR (TRAVERSE) | | |
| 25 | 1E,2D | | E35-0747-25 | FLAT CABLE (16P) | | |
| 26 | 1B,1E | * | E35-2538-05 | FLAT CABLE | | |
| 28 | 2B | | E40-3264-05 | PIN ASSY (TRAVERSE) | | |
| 35 | 1C | | G01-4130-04 | COMPRESSION SPRING | | |
| 36 | 2B | | G01-3753-04 | COMPRESSION SPRING | | |
| 37 | 2B | | G01-4124-04 | COMPRESSION SPRING | | |
| 38 | 3A | | G02-1049-04 | FLAT SPRING | | |
| 39 | 2D | | G09-0634-04 | WIRE SPRING | | |
| 41 | 2C | | G02-1631-04 | FLAT SPRING | | |
| 43 | 2B | * | J02-1462-04 | INSULATOR | | |
| 44 | 1A | | J11-0835-04 | CLAMPER ASSY | | |
| 45 | 2D | | J19-5818-04 | HOLDER | | |
| 46 | 2A | | J90-0851-04 | GUIDE | | |
| 47 | 2E | | J90-0852-02 | GUIDE | | |
| 48 | 2C | | J99-0801-01 | TRAY | | |
| 49 | 1C | | J99-0596-01 | TRAY | | |
| 55 | 2A | | S33-2061-05 | LEVER SWITCH | | |
| 56 | 2B | | S74-0038-08 | LEAF SWITCH (TRAVERSE) | | |
| 64 | 1A | | T99-0544-15 | MAGNET | | |
| - | | | D40-1515-05 | MECHA ASSY (TRAVERSE) | | |
| - | | | G10-0489-04 | NON-WOVEN FABRIC | | |
| AA | | | N09-1522-05 | SET SCREW (3X8) | | |
| AB | | | N82-2608-46 | BINDING HEAD TAPTITE SCREW | | |
| AC | | | N89-2610-46 | BINDING HEAD TAPTITE SCREW | | |
| AE | | | N89-3010-46 | BINDING HEAD TAPTITE SCREW | | |
| AG | | | N89-3008-46 | BINDING HEAD TAPTITE SCREW | | |
| AJ | | | N19-0891-04 | FLAT WASHER | | |
| AL | | | N09-3144-05 | SET SCREW (3X10,+,10) | | |
| AN | | | N19-1352-04 | FLAT WASHER | | |
| AP | | | N19-1378-04 | FLAT WASHER | | |
| DM | 1B | | A11-1082-18 | DISC MOTOR ASSY (TRAVERSE) | | |
| FM | 2B | | T42-0817-08 | FEED MOTOR (TRAVERSE) | | |
| LM | 3A | | T42-0524-05 | DC MOTOR | | |
| PU | 1B | | T25-0061-08 | PICKUP (KSS-213C)(TRAVERSE) | | |
| RM | 2D | | T42-0670-15 | DC MOTOR | | |

L : Scandinavia K : USA P : Canada R : Mexico C : China I : Malaysia

Y : PX(Far East,Hawaii) T : England E : Europe G : Germany V : China(Shanghai)

Y : AAFES(Europe) X : Australia Q : Russia H : Korea M : Other Areas

Δ Indicates safety critical components.

3: CD-403/403-S/DPF-R3030/R3030-S

4: CD-404/DPF-R4030/R4030-S

6: CD-406/DPF-R6030

HOW TO READ THE PARTS LIST

ABBREVIATION OF MODEL AND MASS PRODUCTION'S DESTINATIONS

| MODEL | ABB. | Australia | Canada | China | England | Europe | Germany | Korea | Malaysia |
|-------------|------|-----------|----------|--------|-------------|----------|---------|------------|----------|
| CD-403 | 3 | - | - | P1 | - | - | - | - | - |
| CD-403-S | 3 | - | - | - | - | - | - | - | - |
| DPF-R3030 | 3 | - | - | - | - | E1 | - | - | - |
| DPF-R3030-S | 3 | X1 | - | - | - | E2 | - | - | - |
| CD-404 | 4 | - | - | P1 | - | - | - | - | - |
| DPF-R4030 | 4 | - | - | - | T1 | E1 | - | - | - |
| DPF-R4030-S | 4 | X1 | - | - | - | - | - | - | - |
| CD-406 | 6 | - | - | - | - | - | - | - | - |
| DPF-R6030 | 6 | - | - | - | T1 | E1 | - | - | - |
| MODEL | ABB. | Mexico | PX/AAFES | Russia | Scandinavia | Shanghai | USA | Other area | |
| CD-403 | 3 | - | - | - | - | - | K | - | - |
| CD-403-S | 3 | - | - | - | - | - | K1 | - | - |
| DPF-R3030 | 3 | - | Y1 | - | - | - | - | - | - |
| DPF-R3030-S | 3 | - | - | - | - | - | - | M1 | - |
| CD-404 | 4 | - | - | - | - | - | K | - | - |
| DPF-R4030 | 4 | - | - | - | - | - | - | - | - |
| DPF-R4030-S | 4 | - | - | - | - | - | - | M1 | - |
| CD-406 | 6 | - | - | - | - | - | K | - | - |
| DPF-R6030 | 6 | - | Y1 | - | - | - | - | - | - |

CD-403/403-S/404/406/DPF-R3030/R3030-S/R4030/R4030-S/R6030
PARTS LIST

CD-403/403-S/404/406/DPF-R3030/R3030-S/R4030/R4030-S/R6030

SPECIFICATIONS

CD-406/DPF-R6030

[Format]

System Compact disc digital audio system
Laser Semiconductor laser

[D/A Convertors]

D/A Conversion 1 Bit (D.R.I.V.E.)
Oversampling 8 fs (352.8 kHz)

[Audio]

Frequency response 4 Hz ~ 20 kHz, ± 0.5 dB
Signal to noise ratio More than 105 dB
Dynamic range More than 95 dB
Total harmonic distortion + noise
..... Less than 0.005% (at 1 kHz)
Wow & flutter Unmeasurable Limit
Output level/impedance
Variable (Max.) 2 V/1 Ω
Digital output
Coaxial 0.5 V p-p / 75 Ω
Optical -15 dBm ~ -21 dBm
(Wave length 660 nm)
Headphone output (Max.) 20 mW (32 Ω)

[Laser]

Wave length 760 nm ~ 800 nm
Laser power class Class 1 (IEC)

[General]

Power consumption 14 W
Dimensions W : 440 mm (17-5/16")
H : 124.5 mm (4-15/16")
D : 398 mm (15-5/8")
Weight (Net) 5.1 kg (11.2 lb)

CD-404/403/DPF-R4030/3030

[Format]

System Compact disc digital audio system
Laser Semiconductor laser

[D/A Convertors]

D/A Conversion 1 Bit
Oversampling 8 fs (352.8 kHz)

[Audio]

Frequency response 4 Hz ~ 20 kHz, ± 0.5 dB
Signal to noise ratio More than 100 dB
Dynamic range More than 93 dB
Total harmonic distortion + noise
..... Less than 0.005% (at 1 kHz)
Wow & flutter Unmeasurable Limit
Output level/impedance
Fixed (CD-403/DPF-R3030) 2 V/1 Ω
Variable (CD-404/DPF-R4030) (Max.) 2 V/1 Ω
Headphone output (Max.)
(CD-404/DPF-R4030 only) 20 mW (32 Ω)

[Laser]

Wave length 760 nm ~ 800 nm
Laser power class Class 1 (IEC)

[General]

Power consumption 14 W
Dimensions W : 440 mm (17-5/16")
H : 124.5 mm (4-15/16")
D : 398 mm (15-5/8")
Weight (Net) 5.1 kg (11.2 lb)



1. KENWOOD follows a policy of continuous advancements in development. For this reason specifications may be changed without notice.
2. The full performance may not be exhibited in an extremely cold location (under a water-freezing temperature).

Note:

Component and circuit are subject to modification to insure best operation under differing local conditions. This manual is based on Europe (E) standard, and provides information on regional circuit modification through use of alternate schematic diagrams, and information on regional component variations through use of parts list.

KENWOOD CORPORATION

14-6, Dogenzaka 1-chome, Shibuya-ku, Tokyo, 150-8501 Japan

KENWOOD SERVICE CORPORATION

P.O. BOX 22745, 2201 East Dominguez St., Long Beach, CA 90801-5745, U.S.A.

KENWOOD ELECTRONICS CANADA INC.

6070 Kestrel Road, Mississauga, Ontario, Canada L5T 1S8

KENWOOD ELECTRONICS LATIN AMERICA S.A.

P.O. BOX 55-2791, Piso 6 plaza Chase, Cl. 47 y Aquilino de la Guardia Panama, Republic de Panama

KENWOOD ELECTRONICS BRASIL LTDA.

Av. Moema, 170-17, Andar-Cobertura "B", Ed. Maximum Service Center, 04077-020 Moema, São Paulo-SP-Brasil

KENWOOD ELECTRONICS U.K. LIMITED

KENWOOD House, Dwight Road, Watford, Herts., WD1 8EB., United Kingdom

KENWOOD ELECTRONICS BELGIUM N.V.

Meachelsesteenweg 418, B-1930 Zaventem, Belgium

KENWOOD ELECTRONICS DEUTSCHLAND GMBH

Rembrücker Str. 15, 63150 Heusenstamm, Germany

KENWOOD ELECTRONICS FRANCE S.A.

13 Boulevard Ney, 75018 Paris, France

KENWOOD ELECTRONICS ITALIA S.p.A.

Via G. Sirtori, 7/9 20129, Milano, Italy

KENWOOD IBÉRICA S.A.

Bolivia, 239-08020 Barcelona, Spain

KENWOOD ELECTRONICS AUSTRALIA PTY. LTD.

(A.C.N. 001 499 074)
16 Giffnock Avenue, North Ryde, N.S.W. 2113, Australia

KENWOOD ELECTRONICS (HONG KONG) LTD.

Unit 3712-3724, Level 37, Tower 1, Metroplaza, 223 Hing Fong Road, Kwai Fong N.T., Hong Kong

KENWOOD ELECTRONICS GULF FZE

P.O. Box 61318, Jebel Ali, Dubai, U.A.E.

KENWOOD ELECTRONICS SINGAPORE PTE LTD.

No. 1 Genting Lane #02-02, KENWOOD Building, Singapore, 349544

KENWOOD ELECTRONICS (MALAYSIA) SDN BHD.

#4.01 Level 4, Wisma Academy Lot 4A, Jalan 19/1 46300 Petaling Jaya Selangor Darul Ehsan Malaysia

KENWOOD ELECTRONICS (THAILAND) CO., LTD.

2019 New Pechburi Road, Bangkok, Huaykwang, Bangkok, 10320 Thailand